



ELECTRIC

FIRES AND STOVES





A WARM WELCOME

It's never been easier to get the warm inviting atmosphere of a real flame fire with all the convenience, versatility and efficiency of electricity.

Using the latest flame-effect technology, Gazco has created a beautiful range of fires and stoves that provide a versatile and stunning focal point for any home – and all without the need for a chimney!

Whether you want to achieve a modern, contemporary look or a more classic, traditional interior, this brochure will help you make the right choice for your home.

 GAZCO



Riva2 670 Electric Verve XS



Huntingdon 20 Electric with Clear Door in Matt Black

THE GAZCO PEDIGREE

When you choose Gazco, quality and technology are assured. From contemporary hang on the wall fires to traditional stoves, Gazco are committed to creating the ultimate in realistic electric flame effects.

Our research and development laboratories are amongst the most advanced in the industry, ensuring that the very latest innovations are incorporated into our products.

Gazco is part of the Stovax Group who offer a prestigious product range including everything from the traditional to the ultra-contemporary in a wide array of styles and sizes. Whether your choice is solid fuel, gas, or electric you can be sure to find a stove or fireplace from our range that will add warmth and character to your home. Both Gazco and Stovax offer solid fuel and gas versions of several of the fires and stoves in this brochure. Full details of the Stovax Group's range of products can be found at www.stovax.com.

Gazco is an ISO9001 and ISO14001 accredited company. Our rigorous quality control system ensures that all our appliances comply with British Safety Standards as well as stringent European regulations. All fires and stoves in the brochure are CE marked. This means they have been independently tested to exacting European standards.



Warranty Information

Your Gazco retailer will provide you with a Two Year Extended Warranty for your new electric stove or fire, providing it is registered with Gazco. Please note, this warranty excludes certain consumable parts. Stoves and Fires purchased outside of Gazco's Expert Retailer Network will carry a standard One Year Warranty. Full warranty details, terms and conditions are available at www.gazco.com.

EXPERT RETAILER NETWORK

We take great care to ensure that our stoves and fires are designed, tested and manufactured to the highest possible quality and safety standards. We are just as concerned to make certain that they are sold and installed correctly so that you will enjoy years of pleasure from your purchase.

Accordingly, you will find our products are only available from experienced, independent retailers who will be happy to show you a selection of models locally in their showrooms, often fully operational. These independent retailers will discuss your individual requirements both technical (such as sizing the heat output to your room) and design, to ensure that you select the most appropriate product for your home. They will also be able to advise on, or assist with, the installation process as well as help provide any after-sales support and servicing your appliance may require in the future.

Whilst we encourage our retailers to promote fireplace products and their outlets via the internet, we do not believe suitable levels of customer care and satisfaction can be obtained from purchasing the product only online and we would strongly recommend that you consider this when undertaking your research and making a purchasing decision. Furthermore, please be aware that we do not offer technical support (beyond our statutory responsibilities) to products bought via nationwide online sales, where this support would normally be offered by one of our qualified, independent retailers.

In addition, Gazco fires and stoves purchased from within our Expert Retailer Network will have the additional benefit of an extended warranty period, subject to terms and conditions. Full details can be found at www.gazco.com.

FIND YOUR RETAILER

You can find your nearest retailer by visiting www.gazco.com/find-a-retailer



WALL MOUNTED FIRES



STUDIO FIRES

Studio Electric Sizes.....	6 - 7
Studio Electric Glass.....	8 - 9
Studio Electric Verve.....	10 - 11

INSET & WALL MOUNTED



RIVA2 670 FIRES

Riva2 670 Electric Designio2 Glass.....	12 - 13
Riva2 670 Electric Designio2 Steel.....	12 - 13
Riva2 670 Electric Evoke Glass.....	14 - 15
Riva2 670 Electric Evoke Steel.....	14 - 15
Riva2 670 Electric Verve XS.....	16 - 17

INSET FIRES



INSET FIRES

Electric Inset Fire Sizes.....	18 - 19
Studio Electric Inset.....	20 - 21
Riva2 Electric Inset.....	22 - 23
Riva2 Stone Mantels.....	24 - 25

16" FIRES



LOGIC2 FIRES

Logic2 Electric Fires.....	26 - 27
Logic2 Electric Arts.....	28 - 29
Logic2 Electric Chartwell.....	30 - 31
Logic2 Electric Wave.....	32 - 33
Logic2 Electric Progress.....	34 - 35

STOVES



CONTEMPORARY STOVES

Vogue Midi Electric.....	36 - 37
Vogue Midi T Electric.....	38 - 39
Vision Electric.....	40 - 41



TRADITIONAL STOVES

Sheraton 5 Electric.....	42 - 43
Stockton 5 Electric.....	44 - 45
Stockton2 Electric.....	46 - 47
Marlborough2 Electric.....	48 - 49
Huntingdon Electric.....	50 - 51



STUDIO ELECTRIC

The outstanding Studio Electric range is available in a choice of three sizes including a portrait option. With their simple 'hang on the wall' installation and a choice of contemporary styles, these designer electric fires can add stylish warmth to almost any room in your home. All Studio Electric wall mounted fires feature an advanced Programmable Thermostatic Eco remote control that independently controls the flame visuals and heating as well as allowing Daily & Weekly scheduling. For more information see page 52.

Studio 1

The highly efficient Studio 1 is the most compact landscape model in the range, making it the perfect choice for adding a dramatic focal point to a smaller interior.



Studio 2

For effortless style and maximum impact, opt for a Studio 2 Electric fire. The larger dimensions make for an eye-catching focal point accentuating the highly realistic LED flame effect.



Studio 22

The Studio 22 adds instant vertical presence to any modern interior. With its unusual yet highly attractive portrait form, the Studio 22 Electric is perfect for the living room but equally capable of making a designer statement in the study or office. On milder evenings, just sit back and enjoy the flickering flames without the heat or bring some cosy warmth to your room with the Studio's thermostatic ambient heating.



Programmable Thermostatic Eco handset

Each Studio Electric fire is controlled with Gazco's Programmable Thermostatic Eco remote control. This powerful handset allows you to programme your fire as well as accessing the fire's host Innovative energy saving eco features. For more information see page 52.



The Studio's innovative energy saving features make it compliant with stringent Ecodesign energy product standards.

Studio Electric sizes shown with Verve frame

STUDIO ELECTRIC GLASS



Studio Electric 22 Glass



Studio Electric 2 Glass



Sleek, chic and contemporary, the Studio Electric Glass offers a distinctive focal point that complements any interior. Available in three sizes, this striking frame offers instant impact, whatever your room size.

Easy to fit, this designer fire can simply be hung on the wall. Its shallow depth means it will only protrude minimally into your room.

A stunning flame-effect with five levels of brightness is available at the touch of a button on your remote control.

Finish
Black Glass

Heat Output
Studio 1: 0.9kW - 1.8kW
Studio 2: 0.9kW - 1.8kW
Studio 22: 0.45kW - 0.9kW
(or flame effect only)

Frame Dimensions w x h x d (mm)
Studio 1: 1120 x 675 x 118
Studio 2: 1320 x 675 x 118
Studio 22: 675 x 1320 x 118

For more detailed information please see page 52.



Programmable
Thermostatic
Eco Remote
Control







STUDIO ELECTRIC VERVE



Studio Electric 22 Verve
(shown without White Stones)



Studio Electric 1 Verve

The stylish Studio Electric Verve has a beautifully curved frame, making for a striking designer statement that can be appreciated from all angles.

Whether for a luxurious living room or stylish study, the hang-on-the-wall Studio Electric Verve is incredibly versatile, with two landscape sizes as well as a portrait option to choose from.

Finish
Graphite

Fuel Bed Effect
White Stones
(removable)

Heat Output
Studio 1: 0.9kW - 1.8kW
Studio 2: 0.9kW - 1.8kW
Studio 22: 0.45kW - 0.9kW
(or flame effect only)

Frame Dimensions w x h x d (mm)
Studio 1: 1320 x 640 x 155
Studio 2: 1520 x 640 x 160
Studio 22: 676 x 1320 x 156



Programmable
Thermostatic
Eco Remote
Control



Also see image on pages 6. For more detailed information please see page 52.



R I V A 2 6 7 0 D E S I G N I O

Riva2 670 Electric Designio2 Steel in Iridium



Riva2 670 Electric Designio2 Steel in Graphite



The Designio2 Glass and Steel frames offer a selection of contemporary framing options for the Riva2 670 electric fire.

The Designio2 Glass adds striking black glass surround, with glossy reflective surfaces that enhance the fire's luxury aesthetic. For understated style, the Designio2 Steel frames the fire with a sophisticated metal surround, available in either Graphite or Iridium finishes to complement your décor.

Designio2 frames can be either wall or hearth mounted depending on your tastes. Additionally, the Riva2 670 fire itself can also be installed using the optional wall mounting box, for flat wall installation.

Finish
Black Glass
Graphite
Iridium

Heat Output
1.0kW - 2.0kW
(or flame effect only)

Fuel Bed
Log effect

Frame Dimensions w x h x d (mm)
735 x 569 x 40*



Programmable
Thermostatic
Eco Remote
Control



*Depth when recessed into wall. For more information on the optional wall-mounting box as well as firebox dimensions, please see page 55.

For information on the remote control features see page 52.

R I V A 2 6 7 0 E V O K E



*Riva2 670 Electric Evoke Glass
with White Glass front & Graphite rear*



*Riva2 670 Electric Evoke Steel
with Graphite front & Graphite rear*

Minimalist in design but bold in statement, the Evoke frame adds further presence to the Riva2 670. Choose from Steel or Glass fronts to suit your living area.

All Riva2 670 Electric fires can be recessed into a pre-constructed hole for a more minimalist installation but can also be hung directly on the wall with the optional wall-mounting box.

See front cover for additional image.

Front Finishes

Black Glass
White Glass
Graphite Steel

Fuel Bed

Log effect

Rear Finishes

Graphite
Ivory

Heat Output

1.0kW - 2.0kW
(or flame effect only)

Frame Dimensions w x h x d (mm)

920 x 622 x 41*

*Depth when recessed into wall. For more information on the optional wall-mounting box as well as firebox dimensions, please see page 55.

For information on the remote control features see page 52.



Programmable
Thermostatic
Eco Remote
Control





*Riva2 670 Electric Evoke Glass
with Black Glass front & Graphite rear*



R I V A 2 6 7 0 V E R V E X S



Riva2 670 Electric Verve XS in Graphite

The stylish Verve XS transforms the Riva2 670 with a 3D frame designed to create maximum visual impact in your home. This subtly curving frame choice comes in smart Graphite to suit a variety of settings.

The Riva2 670's highly realistic fuel bed is enhanced by Gazco's stunning flame-effect, offering the ambiance of a real log flame with the instant convenience of electric.

Front Finish
Graphite

Heat Output
1.0kW - 2.0kW
(or flame effect only)

Fuel Bed
Log effect

Frame Dimensions w x h x d (mm)
1000 x 622 x 41*



Programmable
Thermostatic
Eco Remote
Control

*Depth when recessed into wall. For more information on the optional wall-mounting box as well as firebox dimensions, please see page 55.

For information on the remote control features see page 52.



ELECTRIC INSET FIRES

Studio and Riva2 Inset electric fires offer stunning visuals at the touch of a button. Tall flame effects appear to dance both in front and behind the glowing ember effects for a deep, 3D display. Choose from landscape Studio sizes or the more portrait Riva2 models to suit your interior.

Designed to automatically reach and maintain the room temperature you select, these innovative fires efficiently manage heat output to maintain a comfortable ambient warmth.



Glowing ember effects

All Studio and Riva2 fires come with Fire Crystal fuel effects; a combination of amber, red and midnight blue beads that sparkle and glow when lit from beneath by the fire's powerful LEDs. Creating the appearance of glowing embers, the crystal-effect and up lighting add a relaxing ambience to any setting.



Programmable Thermostatic Handset

Each Studio and Riva2 fire features a convenient handset, which lets you easily adjust the flame visuals using the touch-ring control. This Programmable Thermostatic handset also allows the fire to be scheduled to turn on at pre-set times and temperatures, as well as enjoy the display with or without the heat for mood-enhancing ambience all year round. For more information, see page 52.



The Studio's innovative energy saving features make it compliant with stringent 2018 Ecodesign energy product standards.



Riva2 Electric 55
550 x 550mm*



Riva2 Electric 70
700 x 650mm*

*Overall visible dimensions upon installation. For more detailed information, including firebox dimensions please see page 53.



Studio Electric Inset 80
800 x 380mm*



Studio Electric Inset 105
1050 x 380mm*



Studio Electric Inset 150
1500 x 380mm*



STUDIO ELECTRIC INSET



Studio Electric Inset 105



Studio Electric Inset 80

The Studio Electric Inset's landscape design creates a strikingly contemporary and minimalist look. Available in three different sizes and installed completely flush with the wall, the Studio Electric Inset has the versatility to complement a wide range of stylish room designs.

Heat Output
0.5kW – 2.0kW
(or flame effect only)

Dimensions w x h (mm)
Studio Electric Inset 80: 800 x 380
Studio Electric Inset 105: 1050 x 380
Studio Electric Inset 150: 1500 x 380



Programmable
Thermostatic
Remote Control



For more detailed information on fire dimensions and remote control features, see pages 52-53.

RIVA2 ELECTRIC INSET



Providing an alternative aesthetic to the landscape Studio fires (preceding pages), the Riva2 Inset Electric fires make for a stylish focal point in any setting.

The smaller Riva2 Inset 55 has equidistant sides for versatile, square proportions. The larger 70 offers is very slightly wider than it is tall, making it perfect for adding to classic fireplaces or installing with the range of mantels shown overleaf.

Heat Output

Riva2 Electric Inset 55: 0.25kW - 1.0kW

Riva2 Electric Inset 70: 0.5kW - 2.0kW
(or flame effect only)

Dimensions w x h (mm)

Riva2 Electric Inset 55: 550 x 550

Riva2 Electric Inset 70: 700 x 650



Programmable
Thermostatic
Remote Control





RIVA 2 ELECTRIC STONE MANTELS



For sheer elegance and ultimate sophistication, you can combine your Riva2 Electric 70 fire with one of Gazco's beautiful natural stone mantels. There are six designs to suit both traditional and modern decorative styles, each available in either the clean look of antique white marble or the gentle warmth of natural limestone.

A Riva2 Electric stone mantel provides you with the highest levels of aesthetic and tactile appeal from the hand-finished craftsmanship that goes into each and every one.

Mantel Styles	Dimensions w x h (mm) [†]
Claremont	1555 x 1143
Cavendish Bolection	1460 x 1320
Georgian Roundel	1460 x 1082
Grafton	1415 x 1165
Sandringham	1550 x 1220
Victorian Corbel	1525 x 1170

Mantel Stone Choice

Antique White Marble
Limestone

Heat Output

0.5kW - 2.0kW (or flame effect only)

Fire Dimensions w x h (mm)

700 x 650



Programmable
Thermostatic
Remote Control



* Our stone mantels are crafted from high quality, natural material and therefore will contain naturally occurring veining, subtle tonal differences and indeed, small fossils that may be found in the limestone or marble.

[†] Overall visible dimensions upon installation. For more detailed information, including firebox dimensions please see page 53.





LOGIC2 ELECTRIC FIRES

Featuring advanced LED technology, the Logic2 Electric Inset fire range offers captivating, life-like flame visuals for instant fireside ambience. Designed to fit easily into a standard fireplace opening, 3" rebated mantel with slip or simply against a flat wall using the optional spacer frame, this versatile fire can be enjoyed in almost any interior setting.

The Logic2 features various LED flame effects including deep amber, cool blue or a combination of the two (see page 28 for additional image). Using the handset that gives you full control over the fire's features, the Logic2's flames can be set to five brightness settings and can also be displayed with or without the heat if desired.

The Logic2's Programmable Thermostatic Eco handset also offers a number of convenient options, including Daily and Weekly scheduling. This advanced handset also includes various energy saving features which make it Ecodesign compliant. For more information see page 52.



These stylish electric fires come complete with three easily interchangeable fuel beds which each add a unique aesthetic. The log arrangement creates a traditional woodburning look, or, switch to either white and clear stones or grey pebbles for a strikingly contemporary aesthetics.

The versatile Logic2 has a choice of modern and traditionally styled frames and fronts (shown on the following pages) that allow you to customise your fire to suit your home.

3 INTERCHANGEABLE FUEL EFFECTS



Log-effect



White & Clear Stones



Grey Pebbles



Logic2 Electric Wave with Polished Steel Effect Frame, Polished Front and Log-effect fuel bed on blue flame setting. Shown with White Brompton wooden mantel from Stovax.



Logic2 Electric Arts with Highlight Polished front, Brushed Steel effect frame and White & Clear Stone fuel effect on mixed flame effect setting.

28 Also shown: Art Deco wooden mantel in white, available from Stovax.

LOGIC 2 ELECTRIC ARTS



Logic2 Electric Arts with Matt Black front, Brushed Steel effect frame, & White & Clear Stone fuel effect on blue flame setting. Shown with optional Spacer Frame.



Logic2 Electric Arts with Polished Brass effect fret & frame with Log-effect fuel bed on amber flame setting.



Logic2 Electric Arts with Polished effect fret, Polished Steel effect frame and Log-effect fuel bed on amber flame setting.

Taking its design origins from the Arts and Crafts movement in the early twentieth century, the Logic2 Arts embraces simplicity and clean styling. Available in a range of front and frame finishes, the Arts can be selected in a variety of combinations to suit your tastes. Using the optional spacer frame the Arts can also be installed without having to be inset into a wall, minimising building work.

For more detailed information please see page 54. See page 52 for remote control features.

Finish Combinations

Frame Choice	Front Choice
Matt Black	Matt Black
	Brass effect
	Polished effect
	Highlight Polished
Brass effect	Brass effect
Polished Steel effect	Matt Black
	Polished effect
	Highlight Polished
Brushed Steel effect	Matt Black
	Polished effect
	Highlight Polished

Interchangeable Fuel Beds

Log-effect
White & Clear Stones
Grey Pebbles

Heat Output

1.0kW - 2.0kW
(or flame effect only)

Flame Visual Settings

Amber, blue or mixed

Dimensions w x h (mm)

510 x 609



Programmable
Thermostatic
Eco Remote
Control



LOGIC2 ELECTRIC CHARTWELL



Logic2 Electric Chartwell with Matt Black front and frame, with White & Clear Stone fuel effect on mixed flame effect setting.



Logic2 Electric Chartwell with Polished effect front, Polished Steel effect frame, and Log-effect fuel bed on blue flame setting.



Logic2 Electric Chartwell with Polished-effect Brass front and frame, with Log-effect fuel bed on amber flame setting.

The elegant Logic2 Chartwell instantly evokes the heritage and classical styling of a traditional fireplace. Available in various front and frame finishes, the Chartwell can be combined with Gazco's many mantels, fronts and insert panels to create the perfect fireplace for your home.

For easy installation, each frame choice can be used with the optional spacer frame which allows the Logic2 to be fitted directly against a flat wall.

Finish Combinations

Frame Choice

Front Choice

Matt Black	Matt Black
	Brass effect
	Polished effect
Brass effect	Highlight Polished
	Brass effect
Polished Steel effect	Matt Black
	Polished effect
	Highlight Polished
Brushed Steel effect	Matt Black
	Polished effect
	Highlight Polished

Interchangeable Fuel Beds

Log-effect
White & Clear Stones
Grey Pebbles

Heat Output

1.0kW - 2.0kW
(or flame effect only)

Flame Visual Settings

Amber, blue or mixed

Dimensions w x h (mm)

510 x 609



Programmable
Thermostatic
Eco Remote
Control



For more detailed information please see page 54. See page 52 for remote control features.



Logic2 Electric Chartwell with Highlight Polished front, Matt Black frame, and Grey Pebble fuel bed on amber flame setting. Shown with Stovax Malmo wooden mantel.



Logic2 Electric Wave with Polished Steel Effect frame, Matt Black front with Log effect fuel bed on amber flame setting. Shown with Malmo wooden mantel in White from Stovax.

LOGIC2 ELECTRIC WAVE



Logic2 Electric Wave with Matt Black frame and front with White & Clear Stone fuel bed on blue flame setting.



Logic2 Electric Wave with Polished Steel Effect frame, Polished effect front with Grey Pebble fuel bed on amber flame setting.

Blending modern and traditional styling, the Logic2 Wave features smooth lines and refined curves, suiting both contemporary and period interiors alike. The Wave can be selected in Black, Polished Steel, Brushed Steel and Brass with the option to combine different frame and front finishes for unique styling. Logic2 Wave fires are available with an optional spacer frame which allows the fire to be quickly and easily fitted onto a flat wall, if desired.

See page 27 for an additional image.
For more detailed information please see page 54. See page 52 for remote control features.

Finish Combinations

Frame Choice

Front Choice

Matt Black	Matt Black
	Brass effect
	Polished effect
	Highlight Polished
Brass effect	Brass effect
Polished Steel effect	Matt Black
	Polished effect
	Highlight Polished
Brushed Steel effect	Matt Black
	Polished effect
	Highlight Polished

Interchangeable Fuel Beds

Log-effect
White & Clear Stones
Grey Pebbles

Heat Output

1.0kW - 2.0kW
(or flame effect only)

Flame Visual Settings

Amber, blue or mixed

Dimensions w x h (mm)

510 x 609



Programmable
Thermostatic
Eco Remote
Control



LOGIC 2 ELECTRIC PROGRESS



Logic2 Electric Progress with Log effect fuel bed on amber flame setting



Logic2 Electric Progress with Grey Pebble fuel bed on amber flame setting



The ultra-contemporary Progress front's minimalist styling perfectly complements the advanced Logic2 fire. Featuring a smoothly curving front with a striking Iridium finish, this modern fire effortlessly makes for a designer centrepiece in any interior.

The versatile Logic2 fire range is designed to be fitted into a standard fireplace opening or flat against the wall with either a 3" rebated mantel with slip or by using the optional spacer frame.

Finish
Iridium

Dimensions w x h (mm)
520 x 602

Heat Output
1.0kW - 2.0kW
(or flame effect only)

Interchangeable Fuel Beds
Log-effect
White & Clear Stones
Grey Pebbles

Flame Visual Settings
Amber, blue or mixed



Programmable
Thermostatic
Eco Remote
Control





*Logic2 Electric Progress with White & Clear Stone fuel bed on blue flame setting.
Also shown: Malmo wooden mantel in white available from Stovax.*

VOGUE MIDI ELECTRIC



Vogue Midi Electric with Log and Pebble Fuel effects and amber and blue accent flame setting



Vogue Midi Midline Electric with Log & Pebble Fuel effects and amber flame setting



chromalight
IMMERSIVE LED SYSTEM

The Vogue Midi is offered in two models including the taller Midline version, which can be stacked with logs to enhance the wood burner aesthetic. Our Chromalight® Immersive LED technology lets you control flame and ember bed lighting effects to create the perfect ambience in virtually any part of the home, with a choice of fuel effects that can be mixed and matched.

The Vogue Midi is compatible with our range of stove benches, for more information see page 56.

Colour
Matt Black

Interchangeable Fuel Beds
Log & Pebble
Crystal Ice-effect

Heat Output
0.75kW - 1.50kW
(or flame effect only)

Flame Visual Settings
Amber
Blue
Amber with blue accent

Size w x h x d (mm)
416 x 639 x 348

See page 52 for handset features.
For more detailed information please see page 55.



Programmable
Thermostatic
Eco Remote
Control







VOGUE M I D I T E L E C T R I C



Vogue Midi T Midline Electric with Log & Pebble fuel effects and amber flame setting.



Vogue Midi T Electric with Log & Pebble fuel effects and amber and blue accent flame setting.



Vogue Midi T Wall Hung Electric with Log & Pebble fuel effects and amber and blue accent flame setting.

The stylish Vogue Midi T range comprises a collection of tall contemporary stoves. Each incorporates our Chromalight® Immersive LED systems, which combines with the stove's assortment of authentic fuel effects to create a stunningly realistic flame picture. All Vogue Midi T stoves feature windows on either side of the stove body to supplement the large front window, ensuring the display is visible from almost any angle in the room.

The Vogue Midi T can be selected as a plinth-mounted stove or in Midline and Highline log store versions. Alternatively, a statement wall-hung model creates a floating installation for a strikingly modern look. The Vogue Midi T can be enhanced with our range of stove benches, for more information see page 56.

Colour

Matt Black

Interchangeable Fuel Beds

Log & Pebble
Crystal Ice-effect

Heat Output

0.75kW - 1.50kW
(or flame effect only)

Flame Visual Settings

Amber
Blue
Amber with blue accent

Size w x h x d (mm)

Midi T: 417 x 776 x 348
Midi T Midline: 417 x 927 x 348
Midi T Highline: 417 x 1260 x 348
Midi T Wall Mounted : 418 x 776 x 348 (360*)
*360mm is depth with wall mounted bracket.



Programmable
Thermostatic
Eco Remote
Control



See page 52 for handset features. For more detailed information please see page 55.



VISION ELECTRIC



Vision Midi Electric on Riva 45 Low Bench



Vision Medium Electric



Vision Small Electric on Riva 100 High Bench

The Vision is a contemporary, electric stove that comes in three sizes: Small, Midi and Medium; each sporting a highly reflective black glass door, integral glass plinth, black glass top plate and contrasting stainless steel detailing for a clean stylish look.

Incorporating an eye-catching flame effect created using Gazco's unique Veriflame™ technology, the Vision's alluring visuals glow over a realistic hand painted log-effect fuel bed to give all the ambiance and depth of a real log fire.

The three brightness levels can be easily altered at the touch of a button on the remote control* to create a look to suit your mood. Furthermore, each level is available with or without the 1-2kW of heat output, so you can enjoy the ambiance created by your electric stove whatever the season!

To increase your interior design possibilities, you can enhance your Vision by choosing from one of ten stylish Stove Benches as shown on page 56.

Finish

Black Glass

Fuel Bed

Log effect

Heat Output

1.0kW - 2.0kW
(or flame effect only)

Size w x h x d (mm)

Small: 370 x 555 x 299
Midi: 415 x 604 x 320
Medium: 535 x 676 x 363



Highly reflective stove lining



Remote Control

For more detailed information please see page 55. See page 52 for remote control features.

*The thermostat is controlled from the stove



SHERATON 5 ELECTRIC



Sheraton 5 Electric with Log & Pebble fuel effect and Amber and Blue flame setting



Sheraton 5 Electric with Log & Pebble fuel effect and Amber flame setting with Grafton Limestone mantel

The Sheraton 5 Electric stove brings style, elegance, and remarkably realistic flame visuals to any interior. Cast iron bevelling and corning to the door, top plate and base give this stove a classic but timeless appearance that will suit modern and traditional settings alike.

Featuring a choice of fuel effects alongside our Chromalight® Immersive LED systems, the Sheraton 5 Electric gives you a variety of display options that can be mixed and matched to create a bespoke focal point.

See additional image on page 55.

Finish
Matt Black

Interchangeable Fuel Beds
Log & Pebble
Crystal Ice-effect

Heat Output
0.75kW - 1.50kW
(or flame effect only)

Flame Visual Settings
Amber
Blue
Amber with blue accent

Size w x h x d (mm)
458 x 614 x 371



Crystal Ice-effect



Programmable
Thermostatic
Eco Remote
Control



For more detailed information please see page 55.
See page 52 for remote control features.

STOCKTON 5 ELECTRIC



Stockton 5 Electric with Crystal Ice-effect and amber flame setting



Stockton 5 Electric with Log & Pebble fuel effects and amber and blue accent flame setting

The Stockton 5 Electric sits between the Stockton2 Small and Medium models (overleaf) in the range. Featuring our advanced Chromalight® technology, the Stockton 5's flame effects are projected among the fuel bed for a three-dimensional visual, whilst the various fuel effect options are lit from above and below for increased realism. The range of LED colour settings and interchangeable fuel bed options gives you the freedom to tailor your stove's visuals to suit your mood.

Finish
Matt Black

Interchangeable Fuel Beds
Log & Pebble
Crystal Ice-effect

Heat Output
1.0kW - 2.0kW
(or flame effect only)

Flame Visual Settings
Amber
Blue
Amber with blue accent

Size w x h x d (mm)
Stockton 5: 481 x 544 x 337



Programmable
Thermostatic
Eco Remote
Control







STOCKTON 2 ELECTRIC



Stockton2 Electric Small



Stockton2 Electric Medium



With their cast iron doors and heavy gauge steel bodies, the Stockton2 Small and Medium stoves combine the classic looks of a woodburning stove with the ease and convenience of Gazco's unique VeriFlame™ technology.

The Stockton Electric range is available in three sizes; Stockton2 Small, Stockton 5 (preceding pages) and Stockton2 Medium.

Finish
Matt Black

Fuel Bed
Log effect

Heat Output
1.0kW - 2.0kW
(or flame effect only)

Size w x h x d (mm)
Stockton2 Small: 438 x 525 x 338
Stockton2 Medium: 601 x 616 x 412



Remote Control

For more detailed information please see page 56. See page 52 for remote control features.

*The thermostat is controlled from the stove

MARLBOROUGH 2 ELECTRIC



Marlborough2 Electric Medium



Marlborough2 Electric Small



The Marlborough2 Electric offers you an amazingly realistic log-effect fire at the touch of a button - in two different sizes. At its heart is Gazco's unique VeriFlame™ technology which lets you choose from two heat settings that can both be thermostatically controlled*; three brightness levels, plus the additional option for a blue flame-effect when set to high. You can even turn off the heat and just watch the stunning flame-effects perfect for the summer months.

Gazco Electric Stoves simply plug into a 13 Amp socket, so are particularly suited for conservatories, bedrooms or studies, in fact any room with or without a chimney.

Finish
Matt Black

Fuel Bed
Log effect

Heat Output
1.0kW - 2.0kW
(or flame effect only)

Size w x h x d (mm)
Small: 429 x 533 x 355
Medium: 600 x 583 x 406



Remote Control

For more detailed information please see page 55. See page 52 for remote control features.

*The thermostat is controlled from the stove



HUNTINGDON ELECTRIC



Huntingdon 30 Electric with Tracery Door in Matt Ivory



Huntingdon 20 Electric with Tracery Door in Matt Black



Huntingdon 30 Electric with Tracery Door in Ivory Enamel

The fine castings of the Huntingdon Electric range are brought alive with Gazco's VeriFlame™ technology, which gives you two heat settings that can both be thermostatically controlled*. In addition, there are also three flame brightness levels to choose from as well as the option of a blue flame effect on the highest heat setting.

Your choice of flame effect is set against the highly realistic fuel bed and individually hand painted logs, perfectly mirroring the look and atmosphere of a real woodburning stove. The Huntingdon Electric range is available in a number of finishes to complement your home. For even more styling options, each size is also offered in either clear door or tracery door versions.

See additional images on page 57.

Colour Choice

Paint Finishes

Matt Black
Matt Ivory

Enamel Finishes

Ivory

Fuel Bed

Log effect

Door Choice

Tracery Door
Clear Door

Heat Output

1.0kW - 2.0kW
(or flame effect only)

Size w x h x d (mm)

20: 413 x 536 x 324
30: 560 x 592 x 351
40: 641 x 653 x 397



Remote Control

For more detailed information please see page 56. See page 52 for remote control features.

* The thermostat is controlled from the stove.



REMOTE CONTROLS



PROGRAMMABLE THERMOSTATIC ECO REMOTE CONTROL

Studio Electric wall mounted fires, Riva2 670 fires, Logic2 fires, Vogue Midi, Stockton 5 and Sheraton 5 stoves all feature Gazco's Eco remote control. This advanced handset provides complete control over the fire, including flame colours and brightness levels as well as a number of energy saving features.

Daily and weekly heating lets you program your fire to provide heat at certain times of the day or week to suit your lifestyle. Heating cycles can be easily advanced or delayed, if desired, without disrupting scheduling.

Adaptive start control allows the handset to turn on the fire's heating function up to 45 minutes in advance of a scheduled time, ensuring your room is at the right temperature when you want it to be.

Ambient heating control allows you to set the optimum temperature for your room between 15°C and 25°C. The fire will automatically manage heating power to reach the chosen temperature as efficiently as possible. Eco and Boost settings offer further freedom to adjust the temperature by +/-4°C.

Open window detection save's energy by turning off the fire's heat if a sudden drop in room temperature of up to 4°C is detected, such as when a door or window is opened. Heating can be easily resumed by pressing the heat button again or closing the window.



PROGRAMMABLE THERMOSTATIC REMOTE CONTROL

Studio and Riva2 Inset fires come complete with a Programmable Thermostatic remote control, which

provides total control over the fire's flames, lighting and heat. The fire's ambient heating function automatically increases or decreases heat output to reach the temperature you set (between 15°C and 25°C) and is managed as efficiently as possible to save energy. This convenient handset also allows you to schedule your fire to turn on automatically at preset times and temperatures to suit your lifestyle, with Adaptive Start Control turning on the fire up to 45 minutes in advance if required.



Both Programmable Thermostatic remote controls include innovative energy saving features that make each fire or stove compliant with stringent 2018 Ecodesign energy product standards.



VERIFLAME™ REMOTE CONTROL

Gazco's VeriFlame™ technology produces a highly realistic fire effect. The complementary handset allows you to independently adjust the brightness and colour of the flames and fuel bed so you can produce the exact ambience you require, giving you complete flexibility at the touch of a button.

STUDIO ELECTRIC

Product Code	Frame	Finish	Frame Size (mm)			Flame Viewing Area (w x h)	Heat Output
			w	h	d		

STUDIO 1

223-202	Verve	Graphite	1320	640	155	650 x 324	0.9 - 1.8kW
223-094	Glass	Black Glass	1120	675	118	650 x 324	0.9 - 1.8kW

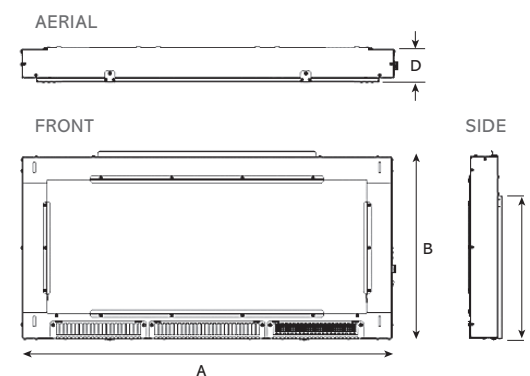
STUDIO 2

223-427	Verve	Graphite	1520	640	160	850 x 324	0.9 - 1.8kW
223-335	Glass	Black Glass	1320	675	118	850 x 324	0.9 - 1.8kW

STUDIO 22

223-710	Verve	Graphite	676	1320	156	324 x 850	0.45 - 0.9kW
223-557	Glass	Black Glass	675	1320	118	324 x 850	0.45 - 0.9kW

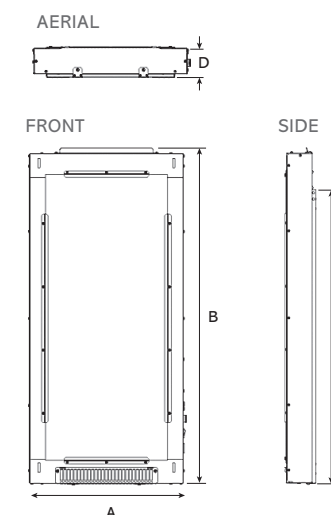
STUDIO ELECTRIC 1 AND 2



Studio Electric Fire Dimensions (mm)

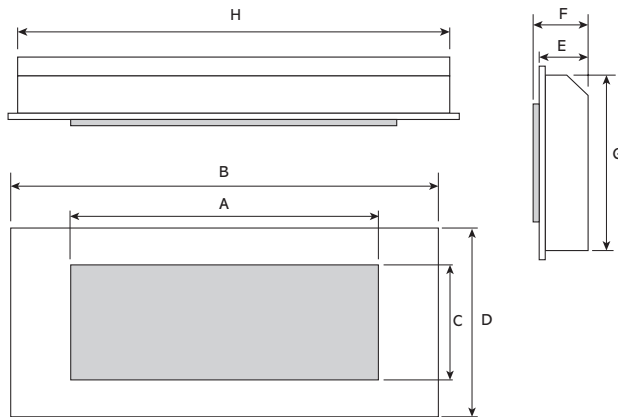
	Studio 1	Studio 2	Studio 22
A	822	1045	492
B	549	549	1062
C	416	416	929
D	98	98	98

STUDIO ELECTRIC 22

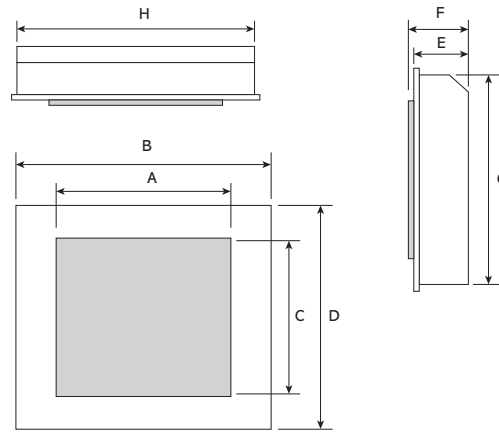


INSERT FIRES

STUDIO ELECTRIC INSET DIMENSIONS



RIVA2 ELECTRIC INSET DIMENSIONS



Inset Fires Dimensions (mm)

	A	B	C	D	E	F	G	H
Studio Inset 150	1500	1877	380	622	191	206	585	1834
Studio Inset 105	1050	1460	380	622	191	206	585	1417
Studio Inset 80	800	1145	380	622	191	206	585	1102
Riva2 70	700	1045	650	902	221	236	865	1002
Riva2 55	550	895	550	792	221	236	755	852

Fire Information

Product Code	Model	Heat Output
223-446	Studio Electric Inset 150	0.50 - 2.00kW
223-431	Studio Electric Inset 105	0.50 - 2.00kW
223-414	Studio Electric Inset 80	0.50 - 2.00kW
234-255	Riva 2 Electric 70	0.50 - 2.00kW
234-243	Riva 2 Electric 55	0.25 - 1.00kW

The shaded area of the diagrams indicates the visible part of the fire upon installation.

RIVA 2 ELECTRIC STONE MANTELS

Product Code	Description	Finish	Overall Width (mm)	Height (mm)	Shelf Depth (mm)	Leg to leg outer (mm)
9002CLWM	Claremont (requires slip set)	Antique White Marble	1555	1143	190	1331
9002CLTL	Claremont (requires slip set)	Limestone	1555	1143	190	1331
9000CAWM	Cavendish Bolection (requires slip set)	Antique White Marble	1460	1320	207	1270
9000CATL	Cavendish Bolection (requires slip set)	Limestone	1460	1320	207	1270
9001GEWM	Georgian Roundel (requires slip set)	Antique White Marble	1460	1082	200	1277
9001GETL	Georgian Roundel (requires slip set)	Limestone	1460	1082	200	1277
9003GRWM	Grafton (requires slip set)	Antique White Marble	1415	1165	105	1415
9003GRTL	Grafton (requires slip set)	Limestone	1415	1165	105	1415
9004VIWM	Victorian Corbel (requires slip set)	Antique White Marble	1525	1170	250	1375
9004VITL	Victorian Corbel (requires slip set)	Limestone	1525	1170	250	1375
9005SAWM	Sandringham (requires slip set)	Antique White Marble	1550	1220	227	1325
9005SATL	Sandringham (requires slip set)	Limestone	1550	1220	227	1325

SLIP SETS

Product Code	Description	Finish
934-736	Slip set for Stone Mantel	Antique White Marble
934-015	Slip set for Stone Mantel	Limestone

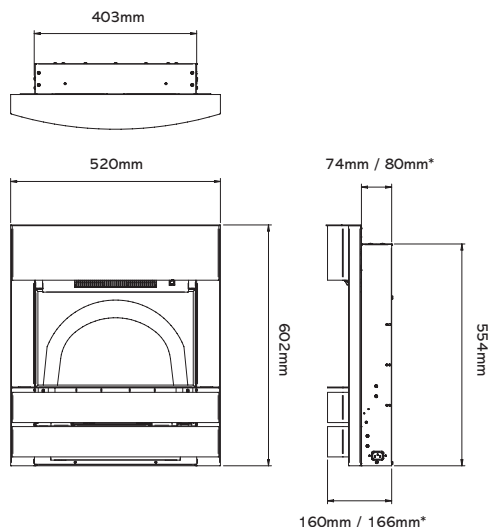
HEARTHES

Product Code	Description	Finish	Overall Width (mm)	Height (mm)	Shelf Depth (mm)
934-241	Small Hearth for Stone Mantel	Antique White Marble	1524	53	228
934-193	Small Hearth for Stone Mantel	Limestone	1524	53	228
934-489	Large Hearth for Stone Mantel	Antique White Marble	1625	53	457
934-351	Large Hearth for Stone Mantel	Limestone	1625	53	457

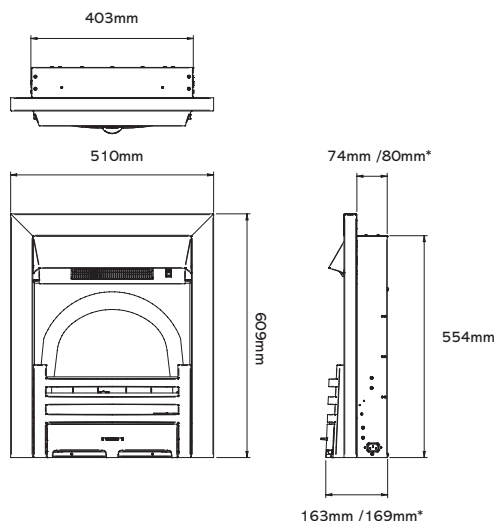
Our stone mantels are crafted from high quality, natural material and therefore will contain naturally occurring veining, subtle tonal differences and indeed, small fossils that may be found in the limestone.

LOGIC2 ELECTRIC

PROGRESS FRAME DIMENSIONS



ARTS, WAVE & CHARTWELL DIMENSIONS



* The depth of the Logic2 Electric fires are increased by 6mm when using an optional spacer frame.

Product Code	Front	Frame Finish	Front Finish	Heat Output
--------------	-------	--------------	--------------	-------------

Arts Fire Information

201-005	Arts	Matt Black	Matt Black	1.00 - 2.00kW
201-038	Arts	Matt Black	Brass Effect	1.00 - 2.00kW
201-081	Arts	Matt Black	Polished Effect	1.00 - 2.00kW
201-099	Arts	Matt Black	Highlight Polished	1.00 - 2.00kW
201-132	Arts	Brass Effect	Brass Effect	1.00 - 2.00kW
201-148	Arts	Polished Steel Effect	Matt Black	1.00 - 2.00kW
201-173	Arts	Polished Steel Effect	Polished Effect	1.00 - 2.00kW
201-197	Arts	Polished Steel Effect	Highlight Polished	1.00 - 2.00kW
201-222	Arts	Brushed Steel Effect	Matt Black	1.00 - 2.00kW
201-236	Arts	Brushed Steel Effect	Polished Effect	1.00 - 2.00kW
201-401	Arts	Brushed Steel Effect	Highlight Polished	1.00 - 2.00kW

Product Code	Front	Frame Finish	Front Finish	Heat Output
--------------	-------	--------------	--------------	-------------

Wave Fire Information

201-416	Wave	Matt Black	Matt Black	1.00 - 2.00kW
201-504	Wave	Matt Black	Brass Effect	1.00 - 2.00kW
201-360	Wave	Matt Black	Polished Effect	1.00 - 2.00kW
201-384	Wave	Matt Black	Highlight Polished	1.00 - 2.00kW
201-688	Wave	Brass Effect	Brass Effect	1.00 - 2.00kW
201-717	Wave	Polished Steel Effect	Matt Black	1.00 - 2.00kW
201-591	Wave	Polished Steel Effect	Polished Effect	1.00 - 2.00kW
201-828	Wave	Polished Steel Effect	Highlight Polished	1.00 - 2.00kW
201-757	Wave	Brushed Steel Effect	Matt Black	1.00 - 2.00kW
201-269	Wave	Brushed Steel Effect	Polished Effect	1.00 - 2.00kW
201-323	Wave	Brushed Steel Effect	Highlight Polished	1.00 - 2.00kW

Chartwell Fire Information

201-742	Chartwell	Matt Black	Matt Black	1.00 - 2.00kW
201-708	Chartwell	Matt Black	Brass Effect	1.00 - 2.00kW
201-655	Chartwell	Matt Black	Polished Effect	1.00 - 2.00kW
201-626	Chartwell	Matt Black	Highlight Polished	1.00 - 2.00kW
201-554	Chartwell	Brass Effect	Brass Effect	1.00 - 2.00kW
201-511	Chartwell	Polished Steel Effect	Matt Black	1.00 - 2.00kW
201-392	Chartwell	Polished Steel Effect	Polished Effect	1.00 - 2.00kW
201-314	Chartwell	Polished Steel Effect	Highlight Polished	1.00 - 2.00kW
201-293	Chartwell	Brushed Steel Effect	Matt Black	1.00 - 2.00kW
201-024	Chartwell	Brushed Steel Effect	Polished Effect	1.00 - 2.00kW
201-070	Chartwell	Brushed Steel Effect	Highlight Polished	1.00 - 2.00kW

Progress Fire Information

201-103	Progress	Iridium		1.00 - 2.00kW
---------	----------	---------	--	---------------

LOGIC2 ELECTRIC OPTIONS

Logic2 Electric Optional Spacer Frames†

901-815	Logic2 Electric Arts, Chartwell & Wave Spacer Frame - Black
901-860	Logic2 Electric Progress Spacer Frame - Graphite

† Logic2 Electric Spacer Frames are for use when installing onto a flat wall.

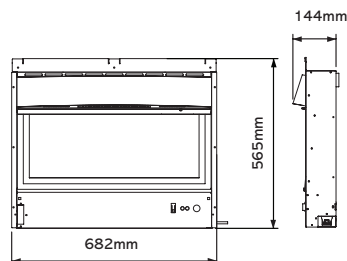
RIVA 2 670 ELECTRIC

Fire Information

Product Code	Fuel Effect	Heat Output	Opening Size (mm)		
			w	h	d
234-872	Logs	1.00 - 2.00kW	665	535	105

Riva2 670 Electric Accessory

8688SL	Wall mounting box for Riva2 670 Electric Cassette 234-872
--------	---



The wall mounting box allows you to hang your Riva2 670 directly onto the wall, without the need for an opening or recess.

Frame Information

Product Code	Description	Frame Finish	Frame Size (mm)		
			w	h	d
934-339	Designio2 frame	Black Glass	735	569	40
934-238	Designio2 frame	Graphite	735	569	40
934-238IR	Designio2 frame	Iridium	735	569	40
934-529	Evoke frame	Black Glass front with Graphite rear	920	622	41
934-558	Evoke frame	White Glass front with Graphite rear	920	622	41
934-601	Evoke frame	Graphite front with Graphite rear	920	622	41
934-143	Verve XS frame	Graphite	1000	621	56

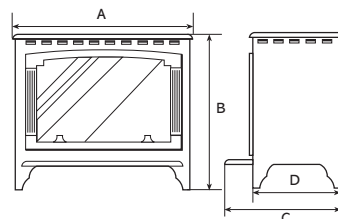
ELECTRIC STOVES

MARLBOROUGH2 ELECTRIC

Product Code	Model	Colour	Fuel Effect	Heat Output
659-019	Small	Matt Black	Logs	1.00 - 2.00kW
659-033	Medium	Matt Black	Logs	1.00 - 2.00kW

Dimensions (mm)

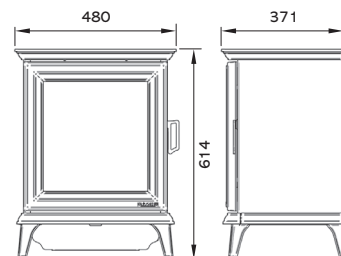
	A	B	C	D	Weight
Small	429	558	355	280	35kg
Medium	600	583	406	330	48kg



SHERATON 5 ELECTRIC

Product Code	Colour	Fuel Effect	Heat Output
605-832	Matt Black	Logs	0.75 - 1.50kW

Weight: 43kg

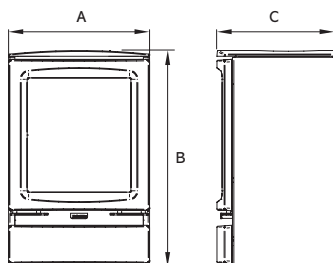


ELECTRIC STOVES (CONTINUED)

VOGUE MIDI ELECTRIC

Product Code	Model	Colour	Fuel Effect	Heat Output
663-806	Midi	Matt Black	Logs	0.75 - 1.50kW
663-834	Midi Midline	Matt Black	Logs	0.75 - 1.50kW

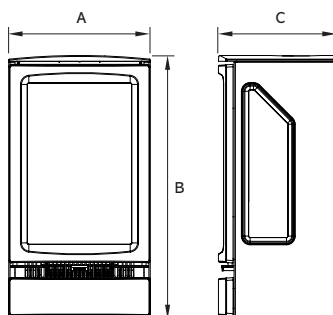
Dimensions (mm)	A	B	C	Weight
Midi	416	639	348	42kg
Midi Midline	416	791	348	48kg



VOGUE MIDI T ELECTRIC

Product Code	Model	Colour	Fuel Effect	Heat Output
663-819	Midi T	Matt Black	Logs	0.75 - 1.50kW
663-851	Midi T Midline	Matt Black	Logs	0.75 - 1.50kW
663-896	Midi T Highline	Matt Black	Logs	0.75 - 1.50kW
663-860	Midi T Wall Mounted	Matt Black	Logs	0.75 - 1.50kW

Dimensions (mm)	A	B	C	Weight
Midi T	417	776	348	38kg
Midi T Midline	417	927	348	44kg
Midi T Highline	417	1260	348	65kg
Midi T Wall Mounted	417	776	348 (360*)	44kg

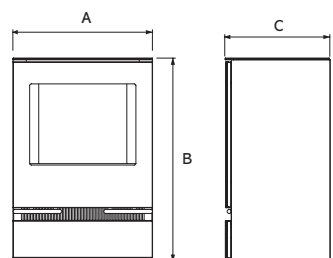


360mm is depth with wall mounting bracket.

VISION ELECTRIC

Product Code	Model	Finish	Fuel Effect	Heat Output
634-680	Small	Black Glass	Logs	1.00 - 2.00kW
634-733	Midi	Black Glass	Logs	1.00 - 2.00kW
634-795	Medium	Black Glass	Logs	1.00 - 2.00kW

Dimensions (mm)	A	B	C	Weight
Small	370	555	297	24kg
Midi	415	604	317	28kg
Medium	535	676	363	38kg



STOVE BENCHES (suitable for Vision & Vogue stoves)



Vision Small Electric on 100 High Bench

- 2 heights
- 5 lengths
- Sturdy steel construction
- Durable Matt Black finish
- 60mm wide legs

Riva Bench - Low

- 45 Low..... RVACLB45B
- 100 Low ... RVACLB100B
- 120 Low ... RVACLB120B
- 140 Low ... RVACLB140B
- 180 Low ... RVACLB180B



45 High
(450 x 350 x 420mm)

100 High
(1000 x 350 x 420mm)

120 High
(1200 x 350 x 420mm)

Riva Bench - High

- 45 High..... RVACB45B
- 100 High... RVACB100B
- 120 High... RVACB120B
- 140 High... RVACB140B
- 180 High... RVACB180B



45 Low
(450 x 250 x 420mm)

100 Low
(1000 x 250 x 420mm)

120 Low
(1200 x 250 x 420mm)

140 Low
(1400 x 250 x 420mm)

180 Low
(1800 x 250 x 465mm)

140 High
(1400 x 350 x 420mm)

180 High
(1800 x 350 x 465mm)

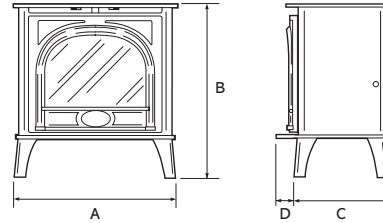
Dimensions:
width x height x depth

STOCKTON / STOCKTON2 ELECTRIC

Product Code	Model	Colour	Fuel Effect	Heat Output
604-074	Small	Matt Black	Logs	1.00 - 2.00kW
604-172	5	Matt Black	Logs	1.00 - 2.00kW
604-095	Medium	Matt Black	Logs	1.00 - 2.00kW

Dimensions (mm)

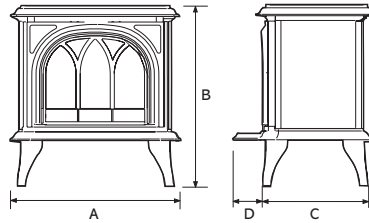
	A	B	C	D	Weight
Small	438	525	289	49	57kg
5	481	544	273	64	55kg
Medium	601	616	347	65	82kg



HUNTINGDON ELECTRIC

Dimensions (mm)

	A	B	C	D	Weight
20	413	536	324	62	35kg
30	560	592	351	96	52kg
40	641	653	397	99	59.5kg



Product Code	Model	Colour	Fuel Effect	Door Type	Heat Output
615-461	20	Matt Black	Logs	Tracery	1.00 - 2.00kW
615-483	20	Matt Ivory	Logs	Tracery	1.00 - 2.00kW
615-495	20	Ivory Enamel	Logs	Tracery	1.00 - 2.00kW
615-475	20	Matt Black	Logs	Clear	1.00 - 2.00kW
615-508	20	Matt Ivory	Logs	Clear	1.00 - 2.00kW
615-581	20	Ivory Enamel	Logs	Clear	1.00 - 2.00kW
E8503	30	Matt Black	Logs	Tracery	1.00 - 2.00kW
615-567	30	Matt Ivory	Logs	Tracery	1.00 - 2.00kW
E8503IV	30	Ivory Enamel	Logs	Tracery	1.00 - 2.00kW
615-552	30	Matt Black	Logs	Clear	1.00 - 2.00kW
615-564	30	Matt Ivory	Logs	Clear	1.00 - 2.00kW
615-573	30	Ivory Enamel	Logs	Clear	1.00 - 2.00kW
615-501	40	Matt Black	Logs	Tracery	1.00 - 2.00kW
615-514	40	Matt Ivory	Logs	Tracery	1.00 - 2.00kW
615-527	40	Ivory Enamel	Logs	Tracery	1.00 - 2.00kW
615-520	40	Matt Black	Logs	Clear	1.00 - 2.00kW
615-536	40	Matt Ivory	Logs	Clear	1.00 - 2.00kW
615-545	40	Ivory Enamel	Logs	Clear	1.00 - 2.00kW



eREFLEX AND RADIANCE ELECTRIC FIRES



The Gazco Electric fire collection also features the eReflex and Radiance ranges, which feature advanced LED flame and lighting technology for stunning, atmospheric visuals.

Offering captivating, realistic flame pictures in a choice of effects and colours, these designer fires are available in either wall mounted or inset versions, as well as a variety of sizes. eReflex fires can even be selected in multi-sided models for a superb bespoke installation.

A choice of elegant styling options and fuel effects allow either range to be tailored to your décor – offering the utmost sophistication and style.



For more information on the full eReflex and Radiance ranges or other Gazco products, please contact your local retailer or visit www.gazco.com





Studio Electric Inset 150



Huntingdon 40 Electric with Clear Door in Matt Black



Gazco Limited, Osprey Road, Sowton Industrial Estate, Exeter, Devon, England EX2 7JG • Tel: 01392 261900

Export Sales: 00 44 1392 261990 • Email: info@gazco.com • www.gazco.com



Gazco pursue a policy of continuous product improvement, therefore, whilst our products are correct at the time of the photography, we reserve the right to make alterations and amendments. Exact product details should be discussed with your retailer at the time of purchase.

Gazco gratefully acknowledges the assistance of the following companies with photographic settings:

www.amara.com; www.furniturevillage.co.uk; www.lauraashley.com; www.faginsantiques.com; www.theorangetree.co.uk; www.habitat.co.uk; www.houseoffraser.co.uk;
www.ashorejewellery.co.uk; www.electique.co.uk; www.debenhams.com; www.next.co.uk; www.mokodirect.co.uk; www.marksandspencer.com; www.rockettstgeorge.co.uk;
www.frenchconnection.com; www.wayfair.co.uk; www.urbanoutfitters.com/uk; www.tkmaxx.com; www.homesense.com; www.johnlewis.com; www.coxandcox.co.uk; www.urbanara.co.uk;
www.amoslighting.co.uk; www.stovax.com; www.farmington.co.uk; www.bnsp.co.uk; www.grandisson.com; www.rudloe-stone.com; www.beechbros.co.uk; www.originalstyle.com;
www.heavitreradio.co.uk; www.stbridgetnurseries.co.uk; www.easyart.com; www.woofenden.com; www.amtico.com; www.opiesuk.co.uk; www.graceandgloryhome.co.uk;
www.chunkymonkeyfurniture.co.uk; www.wallsandfloors.co.uk; www.desenio.co.uk; www.birlea.com; www.ikea.com.

Paper sourced from sustainable forests and printed using vegetable based inks. © Copyright Gazco Ltd 2020 E & O E

FIND YOUR RETAILER

You can find your nearest retailer by visiting:
www.gazco.com/find-a-retailer



Your Gazco stockist:

£3.00

Brochure ref: GZELECTRICO120

