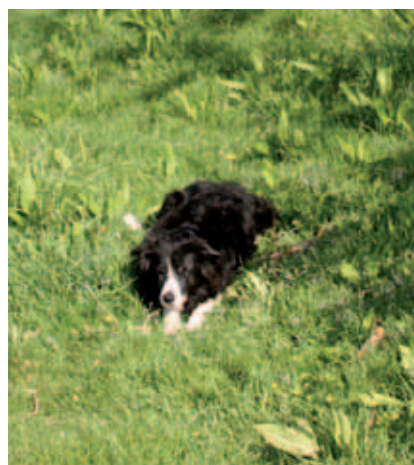


# CLEARVIEW STOVES

*The leading manufacturer of clean burning wood stoves*





# CLEARVIEW STOVES

## *Our Philosophy*

**W**e care passionately about the environment and believe trees are the perfect energy source. For thousands of years the soft glow of a wood fire has been the place where family and friends gather to talk, laugh and philosophise. A real fire radiates a feeling of well-being, sparking our imagination through the flicker of flames, making a magical place to read our children stories. We also believe that wood enables you to take control of your heating and never again worry about power failures or the rising cost of oil.

These beliefs started us on a quest to design and build a stove that would set new standards and quite simply be the very best. A stove with traditional styling, that was simple to use and highly efficient with a wonderful view of the flames behind crystal clear glass. A stove that was easy to light, could burn for long periods unattended, and be incredibly well constructed using the finest materials and craftsmanship.

After much research and development we achieved all of these objectives from our factory in the beautiful Shropshire hills, our team of skilled workers produce a range of stoves that are now considered by many to be the best in the world.

Our customers tell us how much they love their Clearview stove and what pleasure it brings to their lives. It's not unusual to be told that it's the best purchase they have ever made for their home.

Our aim is to share with you our passion for wood burning. We are confident that you can make no better choice than a Clearview stove. It will provide many years of reliability and pleasure and bring warmth and wellbeing into your home.



*Helen and Jonathan in a plantation of oak, ash and larch planted in 1998 at the Clearview works.*

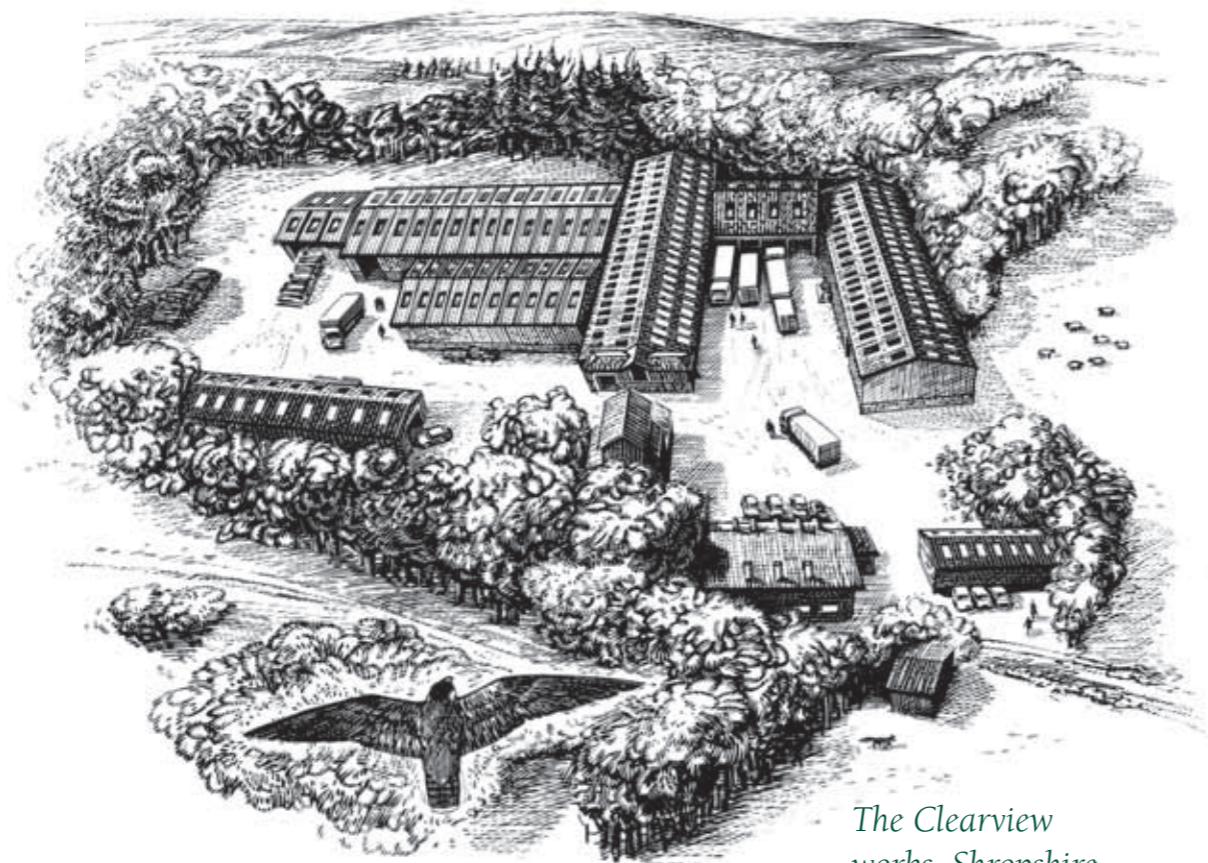
*Helen & Jonathan*





# WONDERFUL STOVES

*Crafted in the heart of the English countryside*



*The Clearview works, Shropshire.*

Since 1987, from our twenty-acre site in the Shropshire hills, we have been designing and manufacturing the very finest wood burning stoves. From this beautiful location, we control all aspects of production with passion and enthusiasm, from research and development, through to design, manufacture and distribution.

In the most modern of stove production facilities we combine the very latest computer controlled robotic production equipment with traditional hand finishing techniques to produce the best, most efficient and reliable stoves available.

Throughout the manufacturing process every stove is thoroughly checked at each stage. At the end of the production line it is carefully and securely packaged and then delivered on time by a fleet of our own dedicated lorries. It doesn't stop there. We believe that expert advice is essential when considering the purchase and installation of a stove. To this end we take care to advise you on which model will best suit your needs and on its efficient and safe installation. Our product knowledge is unequalled in the industry, our after sales service is second to none, so you can be confident that the Clearview Stove you choose will be the right one, giving you many years of trouble-free pleasure and satisfaction.

We are proud to have grown into Britain's leading manufacturer of clean burning stoves. There is a simple reason for our success – we love and believe in our stoves and are dedicated to channelling all our passion and energy into making one exceptional product.

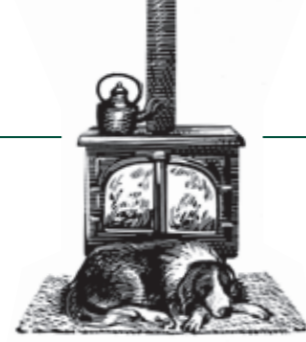


## Clearview Smoke Control®

*Photograph: Helen & Jonathan, Lighting: Dad*

Clearview Stoves were the very first company to have a multi-fuel stove approved to burn wood in smoke control areas. We are immensely proud to have set a new standard. This photograph of a Vision High Canopy in Honey Glow Brown was used to announce the approval to the world in 1993.

Our Stoves are renowned for their simplicity and reliability and so we were very pleased to have passed such a stringent test without having to resort to installing a catalyst.



# ANATOMY OF A CLEARVIEW STOVE

Features that make Clearview superior to other stoves



## 8 GOOD REASONS TO USE A CLEARVIEW STOVE



### 1. Wood is a pleasure to use

There is nothing quite so elemental as the log fire, nothing that excites the imagination like its flames. From the moment of the first flames flicker you feel that a new life has entered the room and the greater the contrast with the weather outside the better. What is better than coming in from a storm and rubbing your hands in front of a roaring fire? It's one of life's little pleasures.



### 2. Wood is a renewable fuel that's good for the environment

Renewable means you don't run out. Renewable means you don't deplete the earth's resources. Trees absorb carbon dioxide from the atmosphere, provide food and shelter for wildlife and add beauty to our lives. During their life, they will provide twenty times more oxygen than is required for combustion, which in turn releases no more CO2 than would its eventual decay. Simply put, burning wood just warms you, not the planet.



### 3. Wood and Clearview put you in control

In our climate, staying warm is right up there on the list of the most important things in life. Do you really want to leave something so important in the hands of a faceless corporation? You take control when you burn wood.



### 4. No more freezing in the dark

It's fair to say, the huge centralised energy sources are not very reliable. If a storm interrupts the electrical supply, you can bet you'll be left stumbling around in the dark with no heating to speak of. However, a Clearview wood stove keeps you safe, cozy and warm during a power-cut and then it is kind of fun, as you get to use the candles.



### 5. The romance of the flame

It's a cliché but nonetheless true that the soft glow of the fire is the perfect setting for an intimate conversation. It's the place where friends and family can talk and laugh in comfort and somewhere to just let your imagination run free. When did you last gather round a storage heater to share stories?



### 6. Heat a space, save some energy

A Clearview stove is the most efficient way of heating because the fire is positioned where and when heat is required. No standing orders, no wires, no computers or service engineers, just simple reliability.



### 7. Wood is good for your local Community

Every penny you spend on oil, natural gas or electricity, helps feed a corporate giant. Spend money locally on firewood and your community benefits. Forest thinning is an integral part of managing our forests and woodlands and a wonderful source of fuel.



### 8. Wood saves you money!

We almost forgot to mention it but for many wood is the cheapest fuel you can use. Best of all, it grows on trees!

Ingenooks with vast chimneys though often very handsome are also responsible for uncontrollable draughts. Heat from the fireplace is swept up the chimney taking with it the warmth from the room.

The average fireplace burns at an efficiency of less than 15%, it's problem is that whether burning or not, it pulls an enormous volume of air up the

chimney. This is why our feet and backs remain cold. Smoking problems are often experienced, and with heat being pulled from the room, negative efficiencies are common.

A Clearview stove will not only produce many times more heat from the same fuel as an open fire, draughts and smoking can usually be cured.



Golden Fire Brown



## CLEARVIEW 750

This is the largest stove in our range. Its classic proportions and high heat output make it the ideal stove for larger rooms, halls and open plan areas. The illustration shows a High Canopy 750 in our original show rooms where it was effortlessly heating a space 36 feet x 18 feet open to a ridge height of 18 feet.

- 14kW heat output.
- Two large Clearview double glazed doors that give an impressive view of the flames.
- Clearview hot air-wash system for really clean burning without fuss or pampering.
- Independent up draft and down draft air distribution system for maximum response and control.
- Refractory lining, promoting clean combustion.
- Multi-fuel grate, for easy lighting and rapid response.
- Heavy steel construction – welded inside and out for durability and long life.
- All “wear and tear” stove parts are easily replaceable.
- Solid brass knobs and door handles.
- Stainless steel ash pan for long life and easy ash removal.
- Adjustable levelling bolts, for easy adjustments on uneven hearths.
- Adjustable hinges and door catch to maintain air tightness throughout the life of the door seals.
- Large hotplate surface for coffee pot or kettle on the Flat Top and Low Canopy version.
- Takes up to 18 inch Logs.

### Optional Features

- Available in a range of seven colours to compliment you decor.
- Satin chrome door handles and fittings.
- External air system, for a direct connection to an outside air supply.
- Optional top or rear flue outlet.
- Boiler options
  - 10,000 Btu (domestic)
  - 27,000 Btu (baffle)
  - 45,000 Btu (wraparound)

### Style Options



Flat Top

Low Canopy

High Canopy

Flat Top on a 7" plinth

Flat Top on a 10" plinth





# CLEARVIEW 650

This is the second largest stove in our range. It has exactly the same classic proportions and all of the features of the 750 but is slightly smaller and has a lower heat output.

- 12kW heat output.
- Two large Clearview double glazed doors that give an impressive view of the flames.
- Clearview hot air-wash system for really clean burning without fuss or pampering.
- Independent up draft and down draft air distribution system for maximum response and control.
- Refractory lining, promoting clean combustion.
- Multi-fuel grate, for easy lighting and rapid response.
- Heavy steel construction – welded inside and out for durability and long life.
- Solid brass knobs and door handles.
- All “wear and tear” stove parts are easily replaceable making maintenance comparatively effortless.
- Stainless steel ash pan for long life and easy ash removal.
- Adjustable levelling bolts, for easy adjustments on uneven hearths.
- Adjustable hinges and door catch to maintain air tightness throughout the life of the door seals.
- Large hotplate surface for coffee pot or kettle on the Flat Top and Low Canopy version.
- Takes up to 18 inch logs.

## Optional Features

- Available in a range of seven colours to compliment your decor.
  - Satin chrome door handles and fittings.
  - Optional top or rear flue outlet.
  - External air system, for a direct connection to an outside air supply.
- Boiler options**
- 10,000 Btu (domestic)
  - 27,000 Btu (baffle)
  - 40,000 Btu (wraparound)

## Style Options



Flat Top    Low Canopy    High Canopy    Flat Top on a 7" plinth    Flat Top on a 10" plinth





## SOLUTION 500/500SB

This is a highly efficient clean burning convection stove that brings elegance and comfort to any home. The hot air-wash system gives fascinating flame patterns and crystal clear glass, and its convection casing reduces the required clearance from combustibles to 300mm each side. The casing is available in a stainless steel option to give a contemporary look. The 500SB has the extra benefit of a combined boiler.

- Solution 500 8kW heat output
- Solution 500SB 6kW heat output to room plus 10,000Btu (3kW) to boiler
- One large Clearview double-glazed door that gives an impressive view of the flames.
- Clearview hot air-wash system for really clean burning without fuss or pampering.
- Independent up draft and down draft air distribution system for maximum response and control
- Refractory lining, and tertiary air supply, promoting super clean combustion.
- Multi-fuel grate, for easy lighting and rapid response.
- Heavy steel construction – welded inside and out for durability and long life.
- Convection casing ensures a lower surface temperature, allowing closer installation to vulnerable surfaces.
- All “wear and tear” stove parts are easily replaceable.
- Solid brass knobs and door handles.
- Stainless steel ash pan for long life and easy ash removal.
- Rotary grate for easy riddling.
- Adjustable hinges and door catch to maintain air tightness throughout the life of the door seals
- Base plate to provide additional floor protection.
- Hotplate surface for coffee pot or kettle.
- Built in fuel store for logs or morning kindling.
- Takes up to 15 inch logs.

### Optional Features

- Available in a range of seven colours to compliment your decor.
- Satin chrome door handles and fittings.
- Optional top or rear flue outlet.
- External air system, for a direct connection to an outside air supply.

### Boiler options

- Solution 500SB 10,000Btu
  - The boiler is located above the firebox and is heated by the flue-gases. This results in the glass remaining cleaner than conventional boiler stoves.
  - Rear 150mm flue outlet.
  - The boiler has four 28mm connections.

### Style Options



Solution 500 with plain sides    Solution 500 with stainless steel side panels    Solution 500SB with plain sides    Solution 500SB with stainless steel side panels





## SOLUTION 400

The Clearview Solution 400 is a smaller version of the Solution 500. It is a highly efficient clean burning convection stove that brings elegance and comfort to any home. The hot air-wash system gives fascinating flame patterns and crystal clear glass, and its convection casing allows installation into spaces not suitable for all stoves. The stainless steel side panel option gives the stove a more contemporary look.

- 5kW heat output.
- A Clearview double-glazed door that give an impressive, uninterrupted view of the flames.
- Clearview hot air-wash system for really clean burning without fuss or pampering.
- Independent up draft and down draft air distribution system for maximum response and control.
- Refractory lining, and tertiary air supply, promoting super clean combustion.
- Multi-fuel grate, for easy lighting and rapid response.
- Heavy steel construction – welded inside and out for durability and long life.
- Solid brass knobs and door handles.
- Convection casing ensures a lower surface temperature, allowing closer installation to vulnerable surfaces.
- All “wear and tear” stove parts are easily replaceable.
- Stainless steel ash pan for long life and easy ash removal.
- Rotary grate for easy riddling.
- Adjustable hinges and door catch to maintain air tightness throughout the life of the door seals
- Base plate to provide additional floor protection.
- Hotplate surface for coffee pot or kettle.
- Built in fuel store for logs or kindling.
- Takes up to 10 inch logs.

### Optional Features

- Available in a range of seven colours to compliment your decor.
- Satin chrome door handles and fittings
- Optional top or rear flue outlet.
- Flue pipe heat shield.
- External air box, for a direct connection to an outside air supply.

### Style Options



Solution 400 with plain sides

Solution 400 with stainless steel sides







VISION FLAT TOP - Conifer Green

An old stone cottage on a bleak windswept hillside is transformed into a warm and cosy home with a Vision stove.



## VISION 500

The Clearview Vision 500 was the first multi-fuel stove approved for burning wood and authorised fuel in UK smoke control areas. Its unmistakable classic Clearview design makes it suitable for almost every situation. It has a large single door that provides an uninterrupted view of the fire, a deep firebox taking 15-inch logs and an integral multi-fuel grate.

- 8kW Output
- One large double glazed door that gives an uninterrupted view of the flames.
- Clearview hot air-wash system for really clean burning without fuss or pampering.
- Independent up draft and down draft air distribution system for maximum response and control.
- Heavy steel construction – welded inside and out for durability and long life.
- All “wear and tear” stove parts are easily replaceable.
- Refractory lining, promoting clean combustion
- Multi-fuel grate, for easy lighting and rapid response.
- Solid brass knobs and door handles.
- Stainless steel ash pan for long life and easy ash removal.
- Rotary grate for easy riddling.
- Adjustable hinges and door catch to maintain air tightness throughout the life of the door seals.
- Large hotplate surface for coffee pot, kettle and cooking – Flat top version only.
- Takes up to 15 inch logs.

### Optional Features

- Available in a range of seven colours to compliment your decor.
- Satin chrome door handles and fittings.
- Optional top or rear flue outlet.
- Boiler options**
  - 10,000 Btu. stainless steel boiler
  - External air box or external air plinth for a direct connection to an outside supply.

### Style Options



Flat Top on 50mm Legs   Flat Top on 100mm Legs   Flat Top on 152mm Legs   Low Canopy on 100mm Legs   High Canopy on 100mm\* Legs   Flat Top on a 300 Log Store   Flat top on a 450 Log Store

All Vision stoves can be supplied with 50mm, 100mm or 152mm legs, 300mm or 450mm log stores and 178mm or 254mm plinths.





## VISION INSET

The Vision Inset incorporates all of the wonderful Clearview benefits found in our free-standing Vision stoves but it can be installed in a fireplace opening where the hearth depth is limited and the least structural disruption is required.

- 5kW output.
- One large double-glazed door that gives an uninterrupted view of the flames.
- Clearview hot air-wash system for clean burning without fuss or pampering.
- Independent up draft and down draft air distribution system for maximum response and control.
- Bottom air inlet makes full use of any external air inlets whilst maximising pre-heating and reducing base temperature.
- Heavy steel construction – welded inside and out for durability and long life.
- All “wear and tear” stove parts are easily replaceable.
- Refractory lining, promoting clean combustion
- Multi-fuel grate, for easy lighting and rapid response.
- Solid brass knobs and a removable door handle.
- Stainless steel ash pan for long life and easy ash removal.
- Rotary grate for easy riddling.
- Adjustable hinges and door catch to maintain air tightness throughout the life of the door seals.
- Adjustable levelling bolts.
- Takes up to 12 inch Logs.

### Optional Features

- Available in a range of seven colours to compliment your décor.
- Satin chrome door handles and fittings.
- Boiler options
  - 8,000 Btu stainless steel boiler

### Style Options



Vision Inset - without Trim      Vision Inset - with fettle      Vision Inset with convection box      Vision Inset with fettle and 2" or 4" trim

The stove featured on page 18 is a Vision Inset installed in a standard (16"x22") fireplace opening. If the fireplace is larger, or to be constructed, use our connection box to line the opening, this will aid installation and ensure the correct air flow around the stove.





# PIONEER 400

The Clearview Pioneer 400 is the highest specification small stove ever built. It's so fuel-efficient it will burn only one kilo of wood an hour, stay in over-night, boil a kettle and even heat your water, if the 8,000 BTU boiler is added. This rugged and stylish stove is equally at home in a country cottage, modern apartment and even a mobile home or a boat.

- 5kW heat output.
- One double-glazed door that gives an uninterrupted view of the flames.
- Clearview hot air-wash system for really clean burning without fuss or pampering.
- Independent up draft and down draft air distribution system for maximum response and control.
- Refractory lining, promoting super clean combustion.
- Multi-fuel grate, for easy lighting and rapid response.
- Heavy steel construction – welded inside and out for durability and long life.
- Solid brass knobs and door handles.
- All “wear and tear” stove parts are easily replaceable making maintenance comparatively effortless.
- Stainless steel ash pan for long life and easy ash removal.
- Rotary grate for easy riddling.
- Adjustable levelling bolts, for easy adjustments on uneven hearths.
- Adjustable hinges and door catch to maintain air tightness throughout the life of the door seals.
- Hotplate surface for coffee pot or kettle.
- Takes up to 10 inch logs.

## Optional Features

- Available in a range of seven colours to compliment your decor.
- External air box or external air plinth, for a direct connection to an outside air supply.
- Satin chrome door handles and fittings
- Optional top or rear flue outlet.

### Boiler options

- 8,000 Btu stainless steel boiler

## Style Options



Flat Top on 2" Legs

Flat Top on 4" Legs

Flat Top on 6" Legs

Flat Top on a 10" plinth





## PIONEER 400P

This is the same high performance stove as the Pioneer 400 but with the added feature of an integral plinth. It is super clean burning, highly controllable with long burn times, air tight and well constructed from the finest materials. There are many thousands of Pioneer stoves in use so you can buy confident of quality, performance and support.

- 5kW heat output.
- One double-glazed door that gives an uninterrupted view of the flames.
- Clearview hot air-wash system for really clean burning without fuss or pampering.
- Independent up draft and down draft air distribution system for maximum response and control.
- Refractory lining, promoting super clean combustion.
- Multi-fuel grate, for easy lighting and rapid response.
- Heavy steel construction – welded inside and out for durability and long life.
- Solid brass knobs and door handles.
- All “wear and tear” stove parts are easily replaceable making maintenance comparatively effortless
- Stainless steel ash pan for long life and easy ash removal.
- Rotary grate for easy riddling.
- Adjustable hinges and door catch to maintain air tightness throughout the life of the door seals.
- Hotplate surface for coffee pot or kettle.
- Takes up to 10 inch logs.

### Optional Features

- Available in a range of seven colours to compliment your decor.
- External air box, for a direct connection to an outside air supply.
- Satin chrome door handles and fittings.
- Optional top or rear flue outlet.

#### Boiler options

- 8,000 Btu. stainless steel boiler

### Style Options



Pioneer 400P





## PIONEER OVEN

The Pioneer Oven is a highly efficient super clean burning stove specially designed for freestanding situations. The warming oven will cook casseroles and bake potatoes, whilst the large hotplate is ideal for boiling a kettle or keeping your coffee warm. The convection casing reduces rear and side surface temperatures allowing the stove to be positioned closer to wood and glass.

- 6kW heat output.
- One double-glazed door that gives an uninterrupted view of the flames.
- Clearview hot air-wash system for clean burning without fuss or pampering.
- Independent up draft and down draft air distribution system for maximum response and control.
- Refractory lining, promoting super clean combustion.
- Multi-fuel grate, for easy lighting and rapid response.
- Warming oven for cooking casseroles, baked potatoes, etc.
- Hotplate surface for coffee pot or kettle.
- Rotary grate for easy riddling.
- Convection casing for a lower surface temperature, allowing closer installation to vulnerable surfaces.
- Heavy steel construction – welded inside and out for durability and long life.
- All “wear and tear” stove parts are easily replaceable making maintenance comparatively effortless.
- Solid brass removable door handle and knobs.
- Stainless steel ash pan for long life and easy ash removal.
- Adjustable hinges and door catch to maintain air tightness throughout the life of the door seals.
- Built in fuel store for logs or kindling
- Takes up to 10 inch logs.

### Optional Features

- Available in a range of seven colours to compliment your decor.
- Satin chrome door handles and fittings
- Optional top or rear flue outlet.
- Base plate to provide additional floor protection.
- External air box, for a direct connection to an outside air supply.

### Style Options



Pioneer Oven with plain sides    Pioneer Oven with stainless steel sides

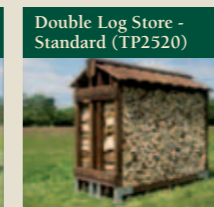




# WOOD STORES AND WOOD

Our wood stores look great all year round while providing the perfect drying environment for your winter fuel. They are free standing and constructed using treated, locally grown timber with galvanised steel feet for strength and longevity. Stores are usually delivered flat packed and supplied with full assembly instructions. They can be quickly erected and provide an instant durable and attractive log storage and drying solution.

Full details and prices on application



Galvanised steel feet

## THE HIGHEST QUALITY FIREWOOD

Clearview Stoves offer a specialist firewood service. Our fuel comes from well managed sustainable forests, mainly as hardwood thinning's produced when woodlands are thinned.

All our wood is cut and split automatically using one of Europe's largest firewood processing systems, and supplied in 10", 15" and 18' lengths.

Clearview firewood is usually packed in big bulk bags for easy handling (900 x 900 x 1600 high) A 'bag' contains a similar volume to a typical 'one tonne' pickup load. Because these bags are tall and flexible they contain considerably more logs than a rigid container of the same volume and

approximately double that of a standard builder's bulk bag. Logs up to 10" and 15" can also be supplied in standard builder's bulk bags (900 x 900 x 900).

Delivery is by small lorry fitted with a 5 meter reach crane. Please make sure your access is suitable prior to ordering as we cannot undertake to move fuel beyond the reach of the crane. Our minimum order is two bags, maximum order eight bags. We have a narrow truck for deliveries that require a smaller vehicle. The maximum load on this lorry is six bags. To reduce transport why not consider sharing a load with a neighbour.

Full details and prices on application.





## DIMENSIONS & SPECIFICATION INFORMATION

PIONEER 400	
Heat Output	1kW to 5kW
Weight	100 kgs (without boiler)
Flue Outlet	150mm (6")
Boiler Options	■ 8,000Btu
Max. Log Length	250mm (10")

Technical drawings of the Pioneer 400 stove showing front, side, and rear views with dimensions:

- Front view: 462mm width, 591mm height.
- Side view: 383mm depth, 556mm height.
- Rear view: 315mm width, 641mm height.
- Flue outlet diameter: 150mm.
- Other dimensions: 474mm, 382mm, 157mm, 247mm, 225mm.

PIONEER 400P	
Heat Output	1kW to 5kW
Weight	140kgs (without boiler)
Flue Outlet	150mm (6")
Boiler Options	■ 8,000Btu
Max. Log Length	250mm (10")

Technical drawings of the Pioneer 400P stove showing front, side, and rear views with dimensions:

- Front view: 462mm width, 778mm height.
- Side view: 350mm width, 670mm height.
- Rear view: 418mm height, 575mm height.
- Flue outlet diameter: 150mm.
- Other dimensions: 105mm, 157mm, 247mm.

VISION INSET	
Heat Output	1kW to 5kW
Weight	120kgs (without boiler)
Flue Outlet	150mm (6")
Boiler Options	■ 8,000Btu.
Max. Log Length	250mm (10")

Technical drawings of the Vision Inset stove showing front, side, and rear views with dimensions:

- Front view: 405mm width, 320mm height.
- Side view: 530mm width, 569mm height.
- Rear view: 120mm depth, 556mm height.
- Flue outlet diameter: 150mm.
- Other dimensions: 112mm, 558mm, 74mm.

Smoke control is an option on all but Solution 500SB, Vision Inset, Pioneer 400P and boiler stoves.

Some of our stoves have boiler options, the smaller Pioneer and Vision stoves can provide domestic hot water. The larger 650 and 750 stoves full central heating as well. Boilers can be fitted to our stoves at any time; if your needs change, you can change your boiler. If a boiler needs to be replaced in years to come, there is not a problem, most other stoves would need to be thrown away. Clearview Stoves' products are protected by numerous national and international patents and design rights. Outputs are dependent on fuel, installation and operation; all information given as a guide only: specifications and products may change without notice. Please note: adding a boiler to a stove will cool the firebox and will impair clean combustion. Even though our stoves are clean burning and reduce creosote emissions, this does not mean that you should neglect the regular cleaning maintenance of your chimney.



## DIMENSIONS & SPECIFICATION INFORMATION

SOLUTION 400	
Heat Output	1kW to 5kW
Weight	135kgs
Flue Outlet	150mm (6")
Boiler Options	None
Max. Log Length	250mm (10")

Technical drawings of the Solution 400 stove showing front and side views with dimensions:

- Front view: 533mm width, 780mm height.
- Side view: 390mm width, 675mm height.
- Flue outlet diameter: 130mm.

PIONEER OVEN	
Heat Output	1.5kW to 6kW
Weight	170kgs
Flue Outlet	150mm (6")
Boiler Options	None
Max. Log Length	250mm (10")

Technical drawings of the Pioneer Oven stove showing front and side views with dimensions:

- Front view: 524mm width, 1076mm height.
- Side view: 376mm width, 963mm height.
- Flue outlet diameter: 130mm.

VISION 500	
Heat Output	1.5kW to 8kW
Weight	125kgs (without boiler)
Flue Outlet	150mm (6")
Boiler Options	■ 10,000Btu.
Max. Log Length	380mm (15")

Technical drawings of the Vision 500 stove showing front, side, and rear views with dimensions:

- Front view: 582mm width, 860mm height.
- Side view: 504mm width, 640mm height.
- Rear view: 410mm width, 470mm height.
- Flue outlet diameter: 150mm.
- Other dimensions: 1004mm, 815mm, 545mm, 580mm, 298mm, 535mm, 225mm, 389mm, 106mm, 330mm.

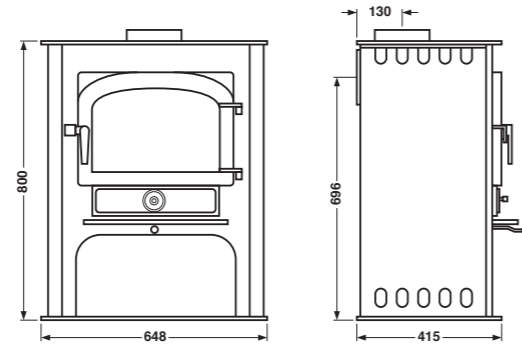
COLOUR OPTIONS						
	Metallic Black	Honey-glow Brown	Conifer Green	Charcoal Grey	Golden Fire Brown	Mahogany Brown
						Welsh Slate Blue



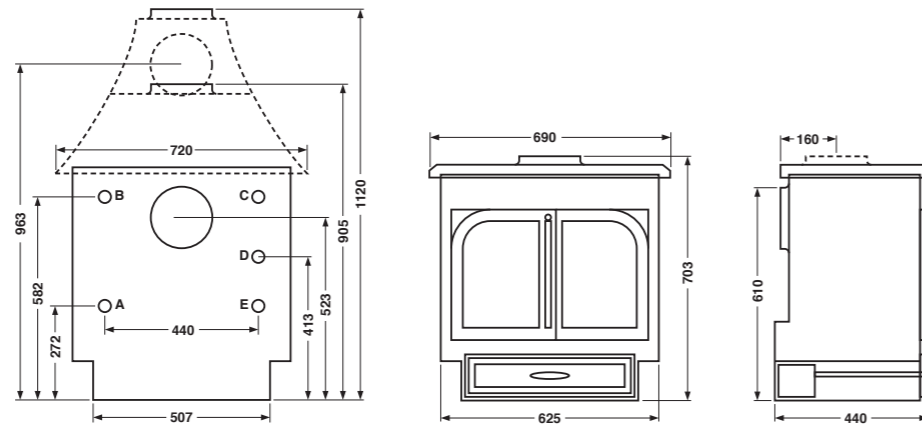
## DIMENSIONS & SPECIFICATION INFORMATION

## INSTALLATION & CHIMNEYS

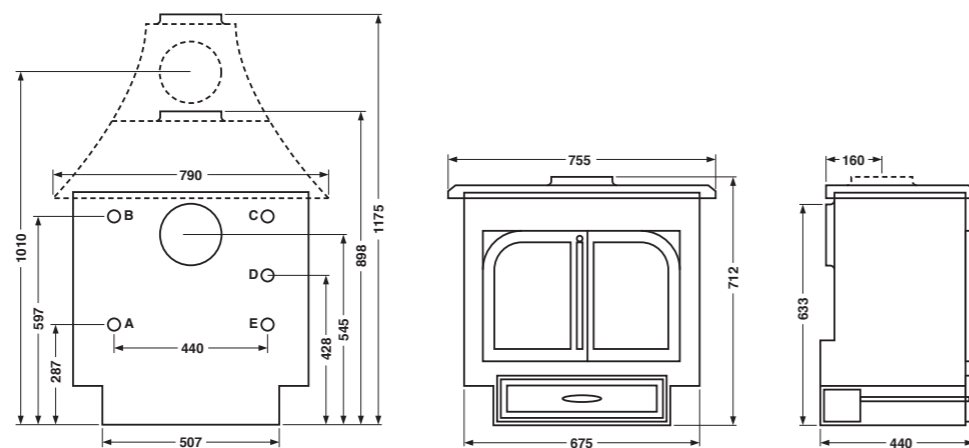
SOLUTION 500	
Heat Output	1.5kW to 8kW
Weight	165kgs
Flue Outlet	150mm (6")
Boiler Options	None
Max. Log Length	3800mm (15")



CLEARVIEW 650	
Heat Output	2.5kW to 12kW
Weight	154 – 165kgs (without boiler)
Flue Outlet	175mm (7")
Boiler Options	<ul style="list-style-type: none"> <li>■ 10,000Btu. (Domestic) Connections A &amp; D</li> <li>■ 27,000Btu. (Baffle) Connections A,B,C &amp; E</li> <li>■ 40,000Btu. (Wrap-round) Connections A,B,C &amp; E</li> </ul>
Max. Log Length	450mm (18")



CLEARVIEW 750	
Heat Output	3kW to 14kW
Weight	182 – 193kg (without Boiler)
Flue Outlet	175mm (7")
Boiler Options	<ul style="list-style-type: none"> <li>■ 10,000Btu. (Domestic) Connections A &amp; D</li> <li>■ 27,000Btu. (Baffle) Connections A,B,C &amp; E</li> <li>■ 45,000Btu. (Wrap-around) Connections A,B,C &amp; E</li> </ul>
Max. Log Length	450mm (18")



At Clearview Stoves we don't just produce the best stoves, we provide a complete service. This includes advice and all of the products you will require for a safe and efficient installation. If you are building a new chimney or fireplace try and choose your stove first, the installation can then be correctly planned.

### CHIMNEY AND FLUE LINING

A chimney is a passage from the place of combustion to the outside world. Warm flue gases should rise through this passage to the point of exit. For a chimney to operate satisfactorily it should be smooth, warm and as straight as possible. If a chimney is irregular and rough, or cold and damp, flue gases will move slowly. Cooler gases will mean inadequate chimney suction and poor flue gas speed.

We always advocate flue lining where possible for the following reasons: A flue liner will substantially decrease your chimney volume, consequently higher temperatures will be maintained and flue gases will travel faster generating greater and more consistent draft. When possible flue liners should be insulated, increasing flue temperature. A warm flue will collect less deposit, cleaning will be much easier, condensation should not occur in the flue. It is possible to clean a lined flue well, leaving the liner almost as clean as new. It is rarely possible to remove all deposits that accumulate in unlined flues, there are always holes and corners a brush does not reach.

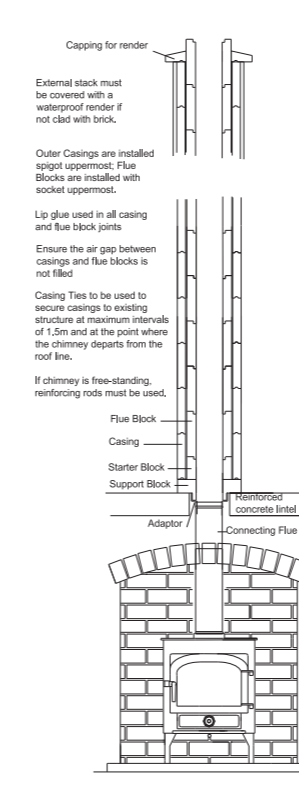
### FLUE PIPE

Clearview Stoves keep thousands of items of flue pipe in stock. Provision for cleaning the chimney is important, we have telescopic flue sections and clean out lengths. Flue pipe can be ordered with your stove direct from the factory or through most Clearview stockists.

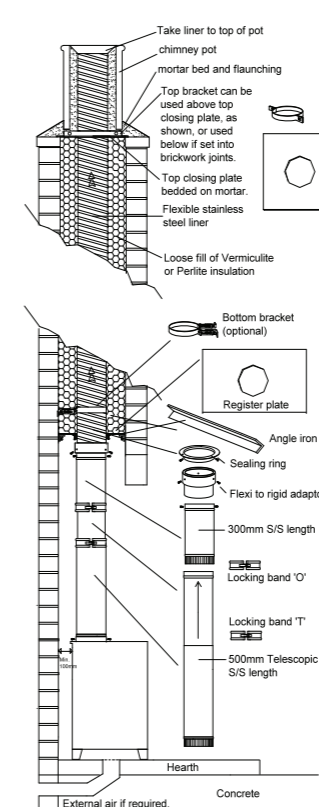
### METHODS OF INSTALLATION

Typical methods of flue construction using double module pumice concrete chimney liner system

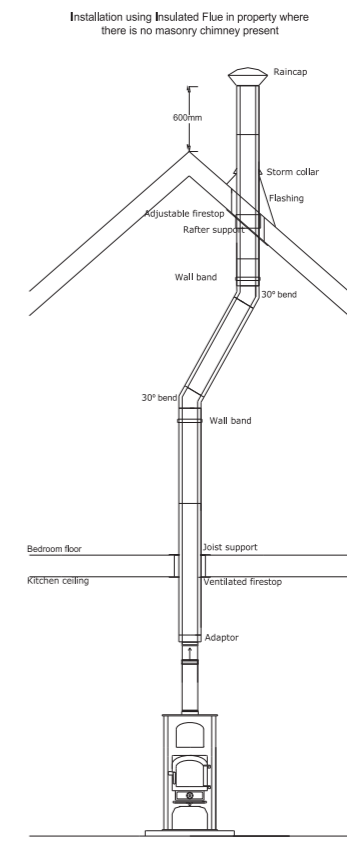
Installation using DM Pumice Concrete Chimney System Supported above Fireplace



Installation of Flexible Stainless Steel Liner

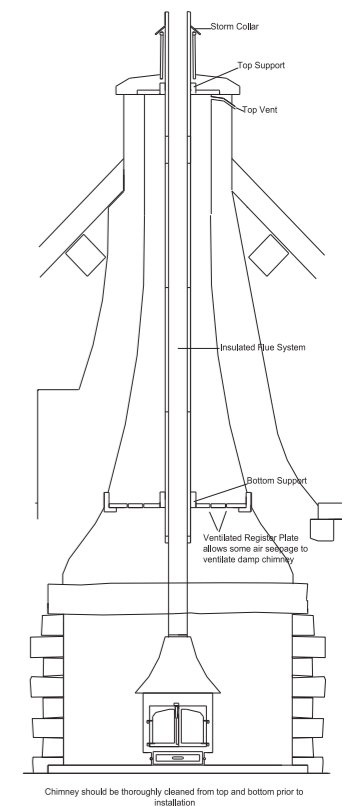


Installations using twin-wall insulated flue



Especially suitable for thatched roof installations.

Installation using Insulated Flue in Ingenhook Fireplace with Large Chimney



© COPYRIGHT CLEARVIEW STOVES

Please notes that these are typical examples only. Every chimney installation is different and may require different components. It is important to check that any installation or building work is in accordance with your local Building Codes.

Chimney should be thoroughly cleaned from top and bottom prior to installation. When lining a chimney in a thatched property use either an insulated pumice flue liner or a factory made insulated flue system.





Dinham House in Ludlow is Clearview Stoves' headquarters and showrooms. Built by eighteenth century ironmasters, it is often described as Europe's most beautiful stove showroom.

[www.clearviewstoves.com](http://www.clearviewstoves.com)

*For further information and advice please  
consult your local stockist*



Clearview Stoves, More Works, Bishops Castle, Shropshire SY9 5HH, UK  
Tel: 01588 650 401 • Fax: 01588 650 493

Showroom: Dinham House, Ludlow, Shropshire SY8 1EJ, UK  
Tel: 01584 878 100

Email: [mail@clearviewstoves.com](mailto:mail@clearviewstoves.com) • [www.clearviewstoves.com](http://www.clearviewstoves.com)