

CAPITAL — STOVES —

LEADING SUPPLIER OF LUXURY FIREPLACES





CAPITAL

— STOVES —

ECO 2022 COMPLIANT STOVES

Avebury Eco	08-09
Bassington Eco	10-13
Bassington Eco Skirted	14-17
Bassington Eco Baseline	18-21
Scene Eco	22-23
Sigma Eco	24-25
Vega Edge 200SL Eco	26-29
Panamera Eco	30-31
Panamera Eco Supreme	32-33
Savona Eco	34-35

MULTI FUEL STOVES

Cascada 5	36-37
Essence 405	38-39
Imperial 405	40-41
Principal 405	42-43
Quadrical 405	44-45

MULTI FUEL INSET STOVES

Aquila 450	46-47
Sierra	48-49
Tucana 600	50-51

GAS INSET STOVE

DL400	52-53
-------	-------

GAS STOVES

Traditional	54-55
Vega B7/C7	56-57

STOVE ACCESSORIES

Glass Hearths	58-59
Stove Chambers	60-63
Geocast Beams	64-77
Technical Information	78
Lifetime Warranty T&C's	78

ECO2022

COMPLIANT STOVES

DEFRA, the Department of the Environment, Fisheries and Rural Affairs, included wood burning stoves in their 2019 Clean Air Strategy. Their aim by doing this is to reduce the amount of harmful emissions that affect air quality by ensuring stove manufacturers improve the performance and efficiency of their stoves.

By January 2022 it will be law that all solid fuel appliances sold after that date have to be Eco Design Compliant. To be Eco Design Compliant, stoves will need to significantly improve emissions when compared to current stoves on the market or to open fires.

Capital Stoves displaying the **Eco 2022** logo shown in this brochure, have been tested in an independent approved test house and have achieved the requirements of Eco Design Regulations. Registration has also been made with **HETAS** (Hetas is a national organisation working for consumer safety and the wider public interest in safe, efficient and environmentally responsible use of biomass and other solid fuels) and **DEFRA**.

A requirement of Eco Design Regulations is that all gas and multi fuel appliances display an energy rating. All Capital Eco 2022 Ready Stoves have A or A+ ratings.

At Capital we launched our first range of fully compliant Eco 2022 Ready Stoves in 2018. We were proud to do this knowing we were one of the first companies to have stoves that were already achieving the necessary



standards. Look out for the **Eco 2022 logo**, complemented by the **HETAS** and **DEFRA** registrations as shown below and throughout the brochure. These stoves not only reduce the level of harmful air pollutants but they also run more efficiently using less fuel, so will cost less to operate.

Our aim at Capital is to ensure all our stoves are fully Eco 2022 Ready well before 2022. We are more than two thirds of the way there already.

Improving our carbon footprint is a key part of our business philosophy. Vital to that strategy is our continued work on Eco 2022 Ready Stoves and our partnership with the National Forest.







THE NATIONAL
FOREST



MAKE YOUR MARK. PLANT A TREE.

We are excited to have teamed up with the National Forest, one of Britain's biggest environmental projects, covering 200 square miles of Leicestershire, Derbyshire, and Staffordshire.

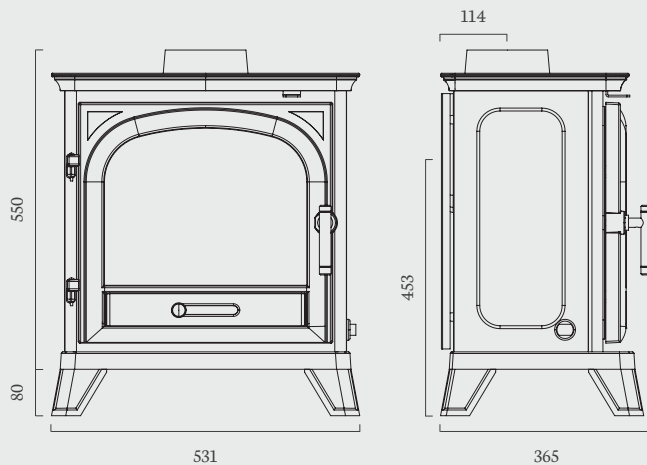
For every Capital Eco Stove that is purchased, you are helping to grow the National Forest and create woodland habitats that will benefit people and wildlife for years to come. Simply look out for the National Forest logo throughout this brochure.

In 27 years, the National Forest has grown the region's woodland cover from 6% to 21%. By supporting this initiative, you're helping us to make habitats for wildlife and grow a healthier, happier Britain. For more information about the National Forest please visit www.nationalforest.org

The Avebury Eco is a highly efficient, multi fuel stove from our new Eco 2022 stove range. DEFRA approved for burning wood in a smoke control area, the Avebury is constructed from cast iron for durability and maximum heat.

Featuring a large, arched glass picture window and airwash system for maintaining an optimal view of the flames, the Avebury is supported by the Capital Lifetime Warranty and is suitable to be fitted on a light duty hearth as pictured here with a 20mm polished granite hearth and rear flue exit.

Nominal Heat Output & Range:	5kW (2.5-8kW)
Efficiency:	Up to 84%
Flue Exit:	Top or Rear
Flue Size:	125mm
Ventilation:	Not normally required (see page 78)
Suitable for a Light Duty Hearth:	Yes



Clearance to combustibles is 600mm, clearance to non-combustibles is 50mm. Please refer to the installation instructions for more info.





A+



lifetime
warranty



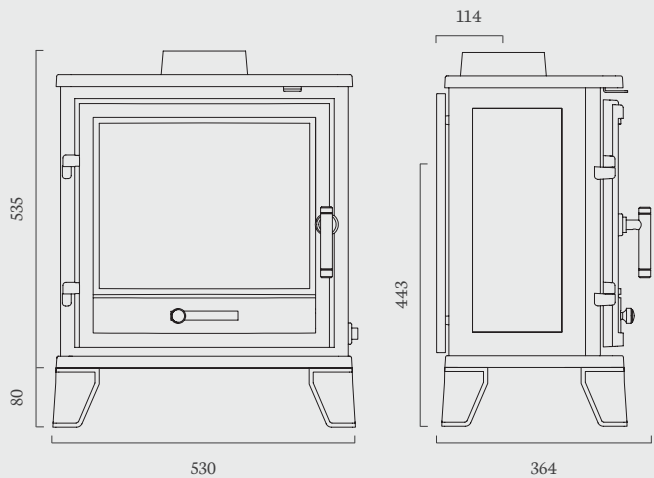


Bassington Eco



The Bassington Eco is a highly efficient, multi fuel stove from our new Eco 2022 stove range. DEFRA approved, the Bassington is constructed from cast iron for durability and maximum heat and is supported by the Capital Lifetime Warranty. Featuring a large glass picture window and airwash system, the Bassington is shown here with the Appledore 54" Aegean Limestone mantel and Riven Slate chamber.

Nominal Heat Output & Range:	5kW (2.5-8kW)
Efficiency:	Up to 84%
Flue Exit:	Top or Rear
Flue Size:	125mm
Ventilation:	Not normally required (see page 78)
Suitable for a Light Duty Hearth:	Yes



Clearance to combustibles is 600mm, clearance to non-combustibles is 50mm. Please refer to the installation instructions for more info.

The Bassington Eco is a highly efficient, multi fuel stove from our new Eco 2022 stove range. DEFRA approved for burning wood in a smoke control area, the Bassington is constructed from enamelled cast iron for durability and maximum heat.

Featuring a large glass picture window and airwash system for maintaining an optimal view of the flames, the Bassington is suitable to be fitted on a light duty hearth and can also be supplied in Black as pictured on page 10.

Nominal Heat Output & Range: 5kW (2.5-8kW)

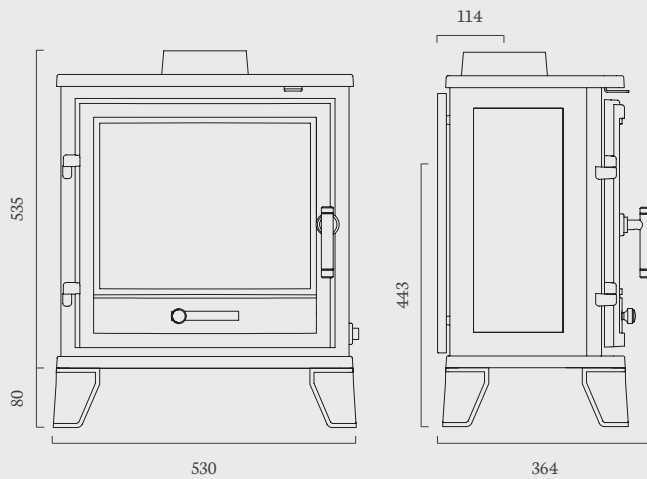
Efficiency: Up to 84%

Flue Exit: Top or Rear

Flue Size: 125mm

Ventilation: Not normally required (see page 78)

Suitable for a Light Duty Hearth: Yes



Clearance to combustibles is 600mm, clearance to non-combustibles is 50mm. Please refer to the installation instructions for more info.



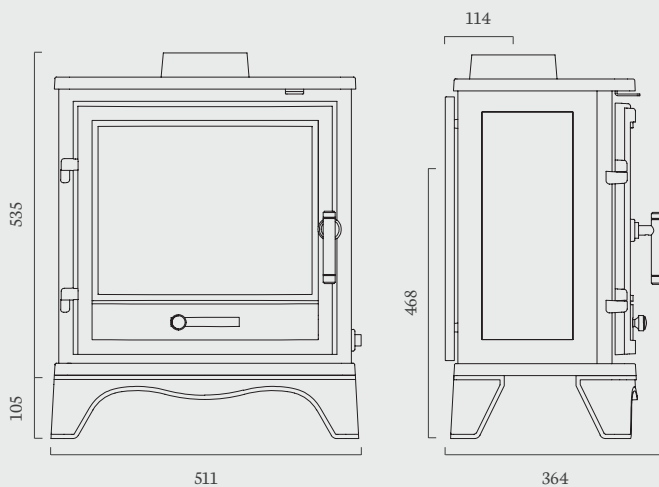


A+

The Bassington Eco is a highly efficient, multi fuel stove from our new Eco 2022 stove range. DEFRA approved for burning wood in a smoke control area, the Bassington is constructed from cast iron for durability and maximum heat.

Featuring a large glass picture window and airwash system for maintaining an optimal view of the flames, the Bassington is supported by the Capital Lifetime Warranty and has been paired perfectly here with the Helston 53" Corinthian Stone mantel and Pompeii brick chamber.

Nominal Heat Output & Range:	5kW (2.5-8kW)
Efficiency:	Up to 84%
Flue Exit:	Top or Rear
Flue Size:	125mm
Ventilation:	Not normally required (see page 78)
Suitable for a Light Duty Hearth:	Yes



Clearance to combustibles is 600mm, clearance to non-combustibles is 50mm. Please refer to the installation instructions for more info.



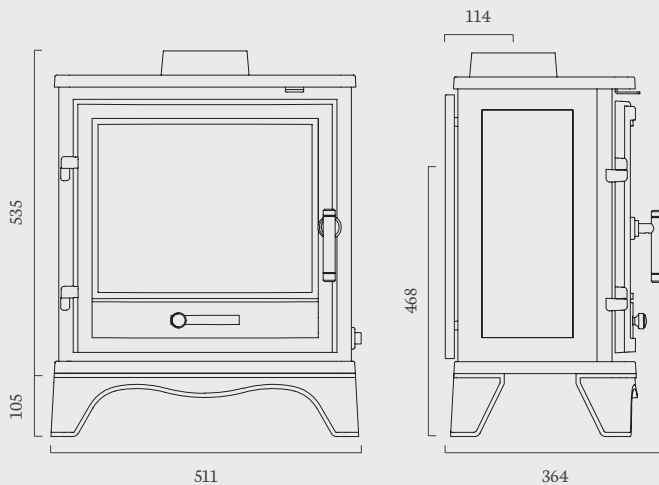


A+

The Bassington Eco is a highly efficient, multi fuel stove from our new Eco 2022 stove range. DEFRA approved for burning wood in a smoke control area, the Bassington is constructed from enamelled cast iron for durability and maximum heat.

Featuring a large glass picture window and airwash system for maintaining an optimal view of the flames, the Bassington is suitable to be fitted on a light duty hearth and can also be supplied in Black as pictured on page 14.

Nominal Heat Output & Range:	5kW (2.5-8kW)
Efficiency:	Up to 84%
Flue Exit:	Top or Rear
Flue Size:	125mm
Ventilation:	Not normally required (see page 78)
Suitable for a Light Duty Hearth:	Yes



Clearance to combustibles is 600mm, clearance to non-combustibles is 50mm. Please refer to the installation instructions for more info.





A+



lifetime
warranty



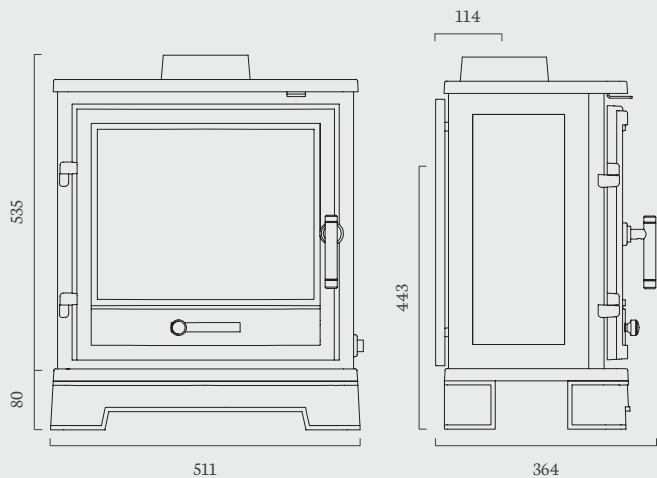


Bassington Eco Baseline



The Bassington Eco is a highly efficient, multi fuel stove from our new Eco 2022 stove range. DEFRA approved, the Bassington is constructed from cast iron for durability and maximum heat and is supported by the Capital Lifetime Warranty. Also featuring a large glass picture window and airwash system, the Bassington Eco Baseline is shown here with the Geocast 48” Contemporary Steel beam and black reeded chamber.

Nominal Heat Output & Range:	5kW (2.5-8kW)
Efficiency:	Up to 84%
Flue Exit:	Top or Rear
Flue Size:	125mm
Ventilation:	Not normally required (see page 78)
Suitable for a Light Duty Hearth:	No



Clearance to combustibles is 600mm, clearance to non-combustibles is 50mm. Please refer to the installation instructions for more info.



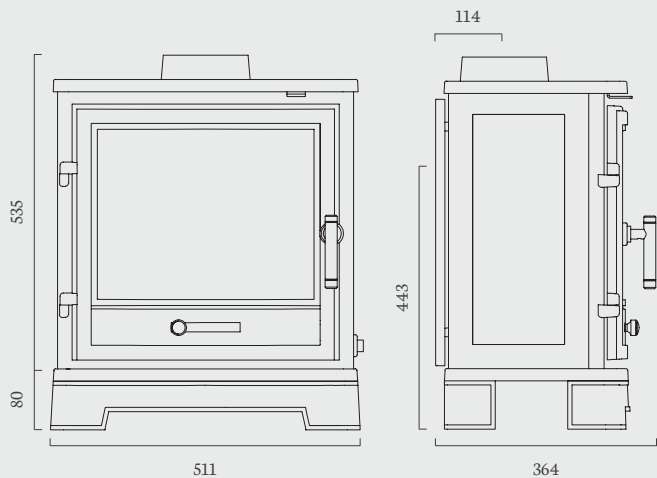


Bassington Eco Baseline



The Bassington Eco is a highly efficient, multi fuel stove from our new Eco 2022 stove range. DEFRA approved, the Bassington Eco Baseline is constructed from enamelled cast iron for durability and maximum heat and also features a large glass picture window and airwash system. Pictured here in Warm White Enamel with the Astwick 54” mantel in Corinthian Stone with a matching stone chamber and hearth.

Nominal Heat Output & Range:	5kW (2.5-8kW)
Efficiency:	Up to 84%
Flue Exit:	Top or Rear
Flue Size:	125mm
Ventilation:	Not normally required (see page 78)
Suitable for a Light Duty Hearth:	No



Clearance to combustibles is 600mm, clearance to non-combustibles is 50mm. Please refer to the installation instructions for more info.



lifetime
warranty



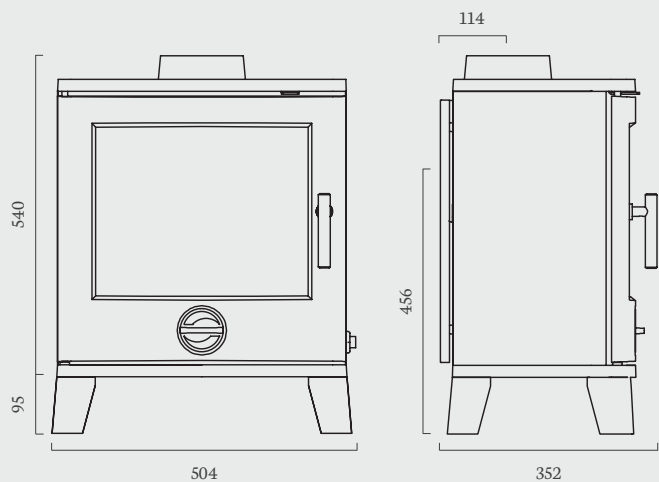


Scene Eco



The Scene Eco is a highly efficient, multi fuel stove from our new Eco 2022 stove range. DEFRA approved, the Scene Eco is constructed from cast iron for durability and maximum heat. Featuring a large glass picture window and airwash system, this stove is also supported by the Capital Lifetime Warranty. Pictured here with the Geocast 48” Contemporary Stone beam and Rusty Slate chamber.

Nominal Heat Output & Range:	5kW (2.5-8kW)
Efficiency:	Up to 84%
Flue Exit:	Top or Rear
Flue Size:	125mm
Ventilation:	Not normally required (see page 78)
Suitable for a Light Duty Hearth:	Yes



Clearance to combustibles is 600mm, clearance to non-combustibles is 50mm. Please refer to the installation instructions for more info.



lifetime
warranty



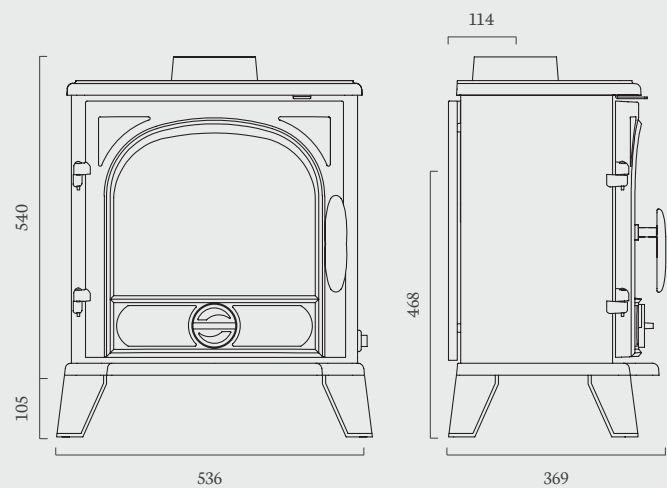


Sigma Eco



The Sigma Eco is a highly efficient, multi fuel stove from our new Eco 2022 stove range. DEFRA approved, the Sigma Eco is supported by the Capital Lifetime Warranty and is constructed from cast iron for durability and maximum heat. Featuring a large, arched glass picture window and airwash system. The Sigma Eco is pictured to the left with the Geocast 48" Rustic beam in Natural Oak and Red brick chamber.

Nominal Heat Output & Range:	5kW (2.5-8kW)
Efficiency:	Up to 84%
Flue Exit:	Top or Rear
Flue Size:	125mm
Ventilation:	Not normally required (see page 78)
Suitable for a Light Duty Hearth:	Yes



Clearance to combustibles is 600mm, clearance to non-combustibles is 50mm. Please refer to the installation instructions for more info.

BEAM BRACKETS ALSO AVAILABLE



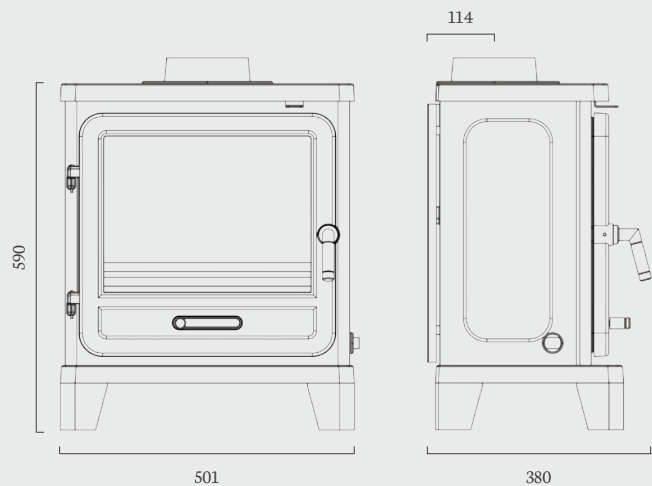


Vega Edge 200SL Eco



The Vega Edge 200SL Eco is a highly efficient, multi fuel stove from our new Eco 2022 stove range. DEFRA approved, the Vega Eco is supported by the Capital Lifetime Warranty and is constructed from cast iron for durability and maximum heat. Featuring a large glass picture window and airwash system, the Vega Eco is shown here with the 48” Geocast Classic antique oak beam and Riven Slate chamber.

Nominal Heat Output & Range:	5kW (2.5-8kW)
Efficiency:	Up to 84%
Flue Exit:	Top or Rear
Flue Size:	125mm
Ventilation:	Not normally required (see page 78)
Suitable for a Light Duty Hearth:	Yes



Clearance to combustibles is 600mm, clearance to non-combustibles is 50mm. Please refer to the installation instructions for more info.

Vega Edge 200SL Eco



The Vega Edge 200SL Eco is a highly efficient, multi fuel stove from our new Eco 2022 stove range. DEFRA approved for burning wood in a smoke control area, the Vega Eco is constructed from enamelled cast iron for durability and maximum heat.

Featuring a large glass picture window and airwash system for maintaining an optimal view of the flames. The Vega Edge 200SL Eco can be supplied in both Black or Warm White Enamel.

Nominal Heat Output & Range: 5kW (2.5-8kW)

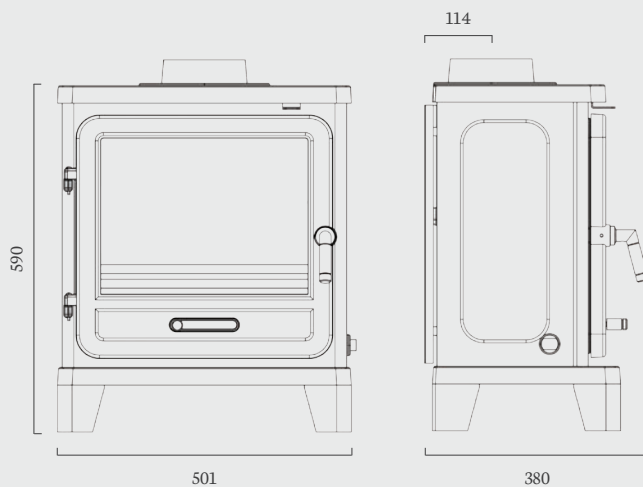
Efficiency: Up to 84%

Flue Exit: Top or Rear

Flue Size: 125mm

Ventilation: Not normally required (see page 78)

Suitable for a Light Duty Hearth: Yes



Clearance to combustibles is 600mm, clearance to non-combustibles is 50mm. Please refer to the installation instructions for more info.



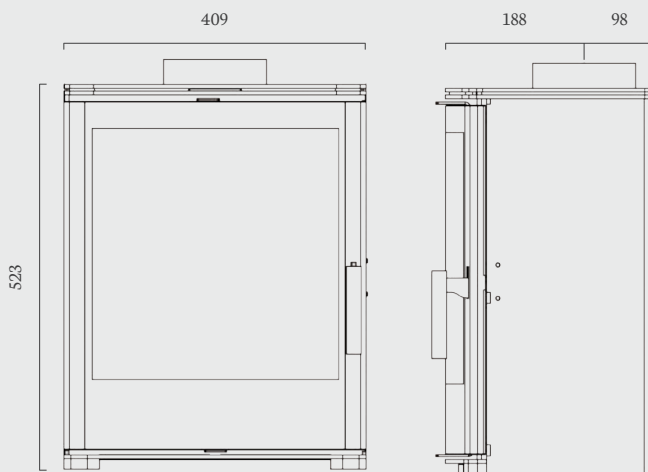


A⁺

The Panamera Eco is a highly efficient, superior multi fuel stove from our new Eco 2022 stove range. DEFRA approved for burning wood in a smoke control area, the Panamera Eco is constructed from steel for contemporary styling and efficient heating.

Featuring a large, curved glass picture window and airwash system for maintaining an optimal view of the roaring flames, the Panamera Eco is pictured here in the Faro 42" Portuguese Limestone mantel with a black reeded chamber and is supported by the Capital Lifetime Warranty.

Nominal Heat Output & Range:	4.9kW
Efficiency:	Up to 84%
Flue Exit:	Top or Rear
Flue Size:	125mm
Ventilation:	Not normally required (see page 78)
Suitable for a Light Duty Hearth:	No



Clearance to combustibles to the top is 400mm and 300mm to the sides, clearance to non-combustibles is 50mm. Please refer to the installation instructions for more info.





A



lifetime
warranty



The Panamera Eco Supreme is a highly efficient and superior multi fuel stove from our new Eco 2022 stove range. DEFRA approved for burning wood in a smoke control area, the Panamera Eco Supreme is constructed from steel for contemporary styling and efficient heating.

Featuring a large, curved glass picture window and airwash system for maintaining an optimal view of the roaring flames. The Panamera Eco Supreme is supported by the Capital Lifetime Warranty and is supplied with a steel base, perfect for those seeking a freestanding stove. Paired perfectly here with the Tear Drop Smoked Glass Hearth.

Nominal Heat Output & Range: 4.9kW

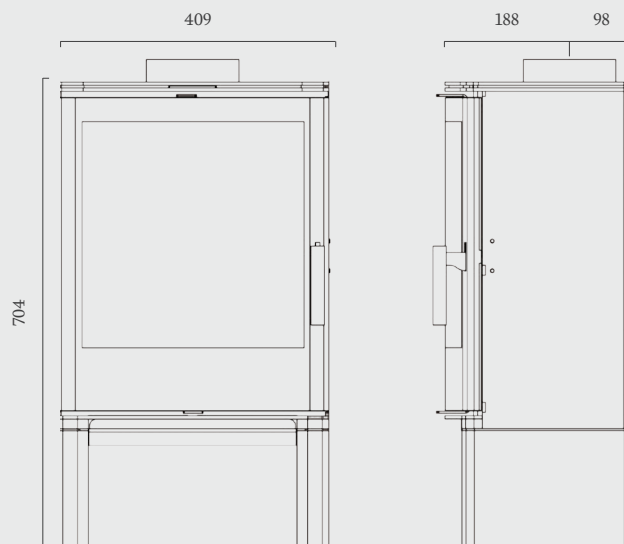
Efficiency: Up to 84%

Flue Exit: Top or Rear

Flue Size: 125mm

Ventilation: Not normally required (see page 78)

Suitable for a Light Duty Hearth: *Yes, if fitted with the steel base*





lifetime
warranty



Savona with a 4 Sided Trim
& Honed Granite Slips

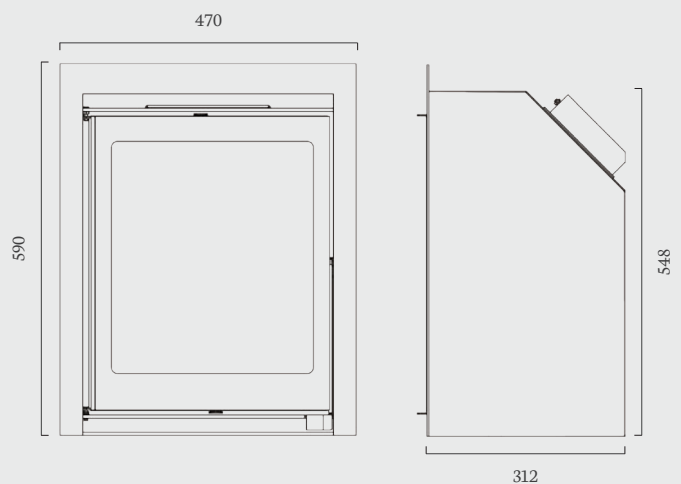


Savona Eco



The Savona Eco is a highly efficient, superior multi fuel inset stove from our new ECO 2022 stove range. DEFRA approved, the Savona Eco is constructed from steel for contemporary styling and efficient heating. Featuring a large glass picture window and airwash system, the Savona Eco is pictured to the left in the Wilbury 48" Portuguese Limestone mantel and is supported by the Capital Lifetime Warranty.

Nominal Heat Output & Range:	4.9kW
Efficiency:	Up to 84%
Flue Exit:	Angled
Flue Size:	125mm
Ventilation:	Not normally required (see page 78)
Suitable for a Light Duty Hearth:	No



Clearance to combustibles to the top is 400mm and 300mm to the sides. Please refer to the installation instructions for more info.

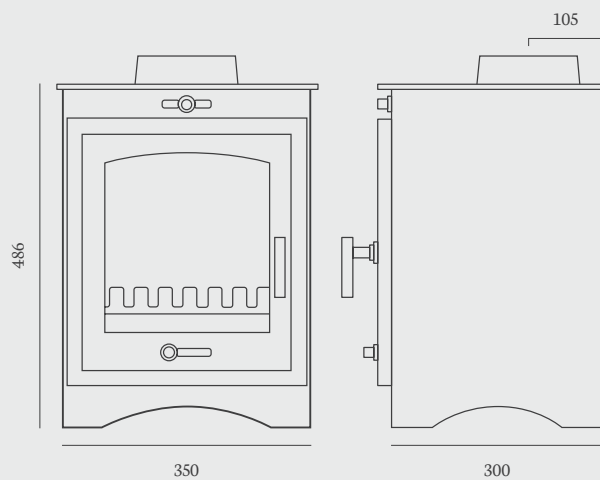
Cascada 5



DEFRA approved for burning wood and anthracite in a smoke control area, the Cascada 5 is a multi fuel stove constructed from steel for durability and efficient heating.

Featuring an airwash system for maintaining an optimal view of the flames and supported by the Capital Lifetime Warranty, the Cascada 5 is pictured here with the 48" Geocast Classic ambient lit beam in Dark Oak and Rainbow brick chamber.

Nominal Heat Output & Range:	4.9kW
Efficiency:	Up to 83%
Flue Exit:	Top or Rear
Flue Size:	125mm
Ventilation:	Not normally required (see page 78)
Suitable for a Light Duty Hearth:	No



Clearance to combustibles to the top and back is 550mm and 450mm to the sides, clearance to non-combustibles is 50mm. Please refer to the installation instructions for more info.



lifetime
warranty



A+

lifetime
warranty





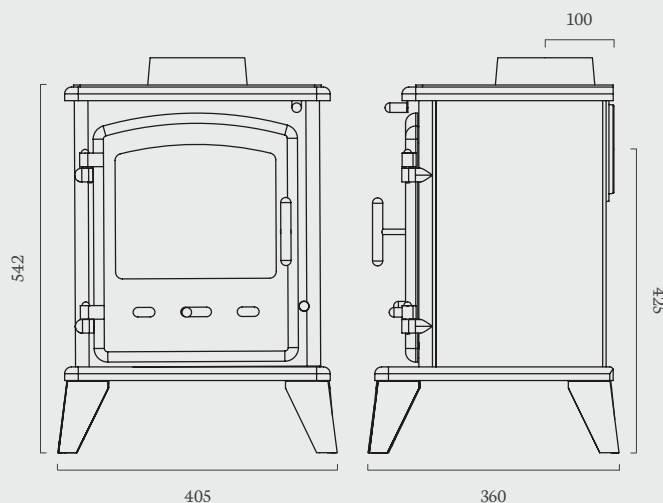
Essence 405



DEFRA approved for burning wood and anthracite in a smoke control area, the Essence 405 is a multi fuel stove comprising an original versatile look created by its soft lines and curves.

Constructed from cast iron for durability and maximum heat, the Essence 405 features an airwash system for maintaining an optimal view of the flames, is supported by the Capital Lifetime Warranty and can also be set for cleanburn or standard multi-fuel use. Pictured here in the Swinford 48" Aegean Limestone mantel and Cobbled Red brick chamber.

Nominal Heat Output & Range:	4.9kW
Efficiency:	Up to 78%
Flue Exit:	Top or Rear
Flue Size:	125mm
Ventilation:	Not normally required (see page 78)
Suitable for a Light Duty Hearth:	No



Clearance to combustibles is 450mm, clearance to non-combustibles is 100mm. Please refer to the installation instructions for more info.

A

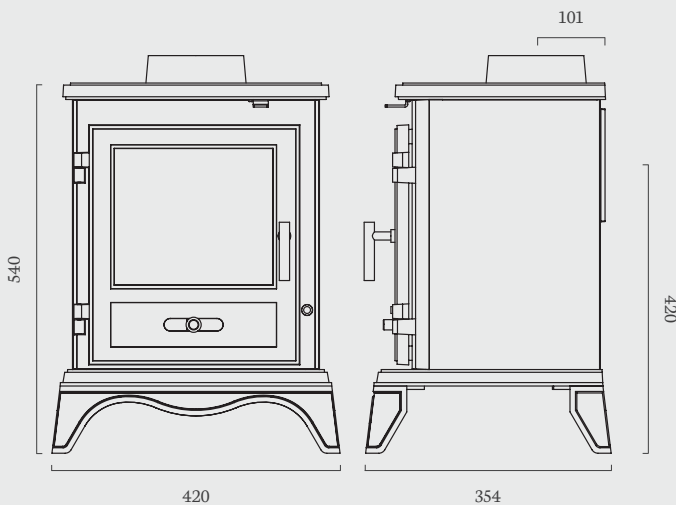
Imperial 405



DEFRA approved for burning wood and anthracite in a smoke control area, the Imperial 405 is a multi fuel stove constructed from cast iron for durability and maximum heat.

Featuring an airwash system for maintaining an optimal view of the flames, this stove is supported by the Capital Lifetime Warranty and can also be set for cleanburn or standard multi-fuel use. Pictured here with the Swinford 48" Portuguese Limestone mantel and Rustic Herringbone brick chamber.

Nominal Heat Output & Range:	4.9kW
Efficiency:	Up to 78%
Flue Exit:	Top or Rear
Flue Size:	125mm
Ventilation:	Not normally required (see page 78)
Suitable for a Light Duty Hearth:	No



Clearance to combustibles is 450mm, clearance to non-combustibles is 100mm. Please refer to the installation instructions for more info.



lifetime
warranty



A

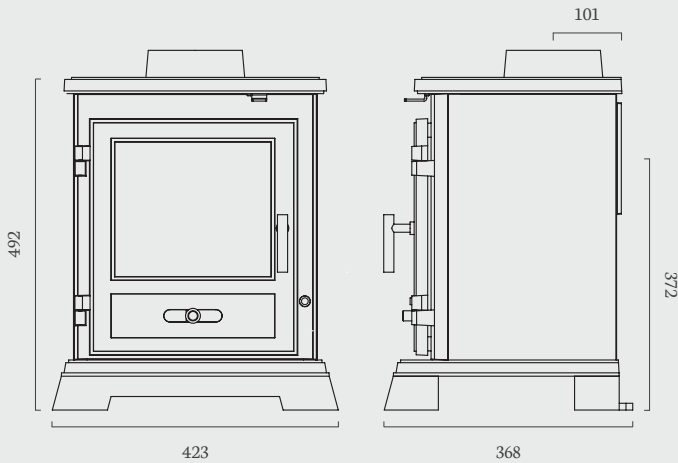
Principal 405



DEFRA approved for burning wood and anthracite in a smoke control area, the Principal 405 is a multi fuel stove constructed from cast iron for durability and maximum heat.

Featuring an airwash system for maintaining an optimal view of the flames, this stove is supported by the Capital Lifetime Warranty and can also be set for cleanburn or standard multi-fuel use. Pictured here with the Lingwood 51" Aegean Limestone mantel and Pompeii brick chamber.

Nominal Heat Output & Range:	4.9kW
Efficiency:	Up to 78%
Flue Exit:	Top or Rear
Flue Size:	125mm
Ventilation:	Not normally required (see page 78)
Suitable for a Light Duty Hearth:	No



Clearance to combustibles is 450mm, clearance to non-combustibles is 100mm. Please refer to the installation instructions for more info.



lifetime
warranty



A

lifetime
warranty





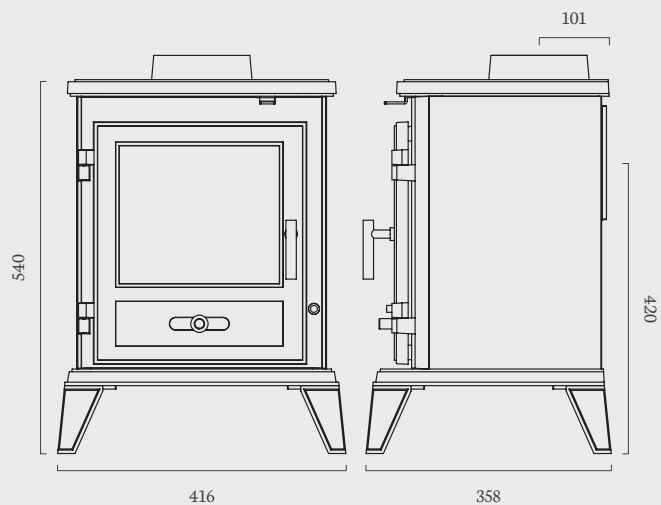
Quadrical 405



DEFRA approved for burning wood and anthracite in a smoke control area, the Quadrical 405 is a classic multi fuel stove with clean lines and angular features and pictured here in an original brick fireplace.

Constructed from cast iron for durability and maximum heat, the Quadrical 405 Multi Fuel Stove features an airwash system for maintaining an optimal view of the flames, is supported by the Capital Lifetime Warranty and can also be set for cleanburn or standard multi-fuel use.

Nominal Heat Output & Range:	4.9kW
Efficiency:	Up to 78%
Flue Exit:	Top or Rear
Flue Size:	125mm
Ventilation:	Not normally required (see page 78)
Suitable for a Light Duty Hearth:	No



Clearance to combustibles is 450mm, clearance to non-combustibles is 100mm. Please refer to the installation instructions for more info.

A

lifetime
warranty



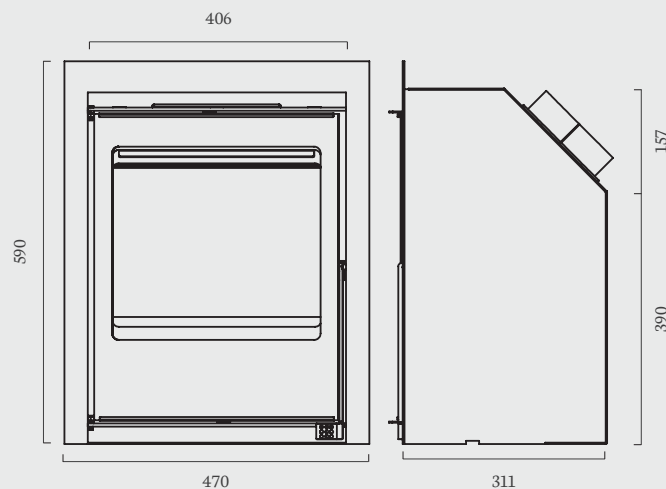


Aquila 450



DEFRA approved for burning wood and anthracite in a smoke control area, the Aquila 450 is a multi fuel inset stove constructed from steel for contemporary styling and efficient heating. Featuring an airwash system for maintaining an optimal view of the flames, the Aquila 450 is supported by the Capital Lifetime Warranty and is pictured to the left with the Peniche 54" Portuguese Limestone mantel.

Nominal Heat Output & Range:	4.9kW
Efficiency:	81%
Flue Exit:	Angled
Flue Size:	125mm
Ventilation:	Not normally required (see page 78)
Suitable for a Light Duty Hearth:	No



Clearance to combustibles to the top is 400mm and 150mm to the sides. Please refer to the installation instructions for more info.

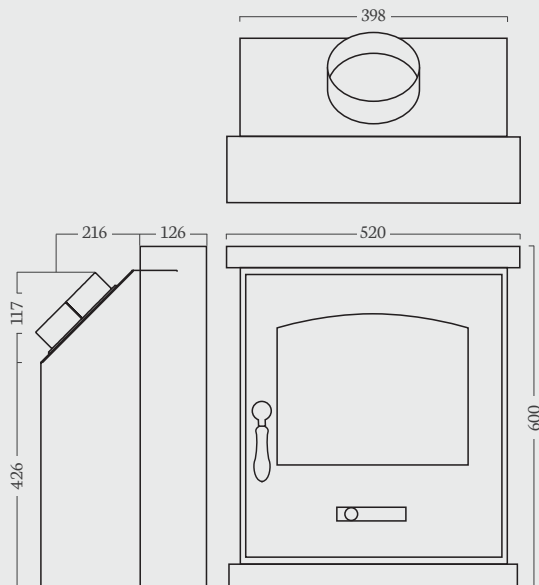
Sierra Inset



DEFRA approved for burning wood and anthracite in a smoke control area, the Sierra is a traditional multi fuel inset stove comprising sleek design features and is supported by the Capital Lifetime Warranty. The Sierra also features an airwash system for maintaining an optimal view of the roaring fire.

The Sierra is pictured here in the Faro 48" Portuguese Limestone mantel with honed granite slips and can also be supplied with door lattice as an optional extra.

Nominal Heat Output & Range:	4.9kW
Efficiency:	82%
Flue Exit:	Angled
Flue Size:	125mm (Adaptor required when connecting to flue liner)
Ventilation:	Not normally required (see page 78)
Suitable for a Light Duty Hearth:	No



Clearance to combustibles to the top is 300mm and 150mm to the sides. Please refer to the installation instructions for more info.

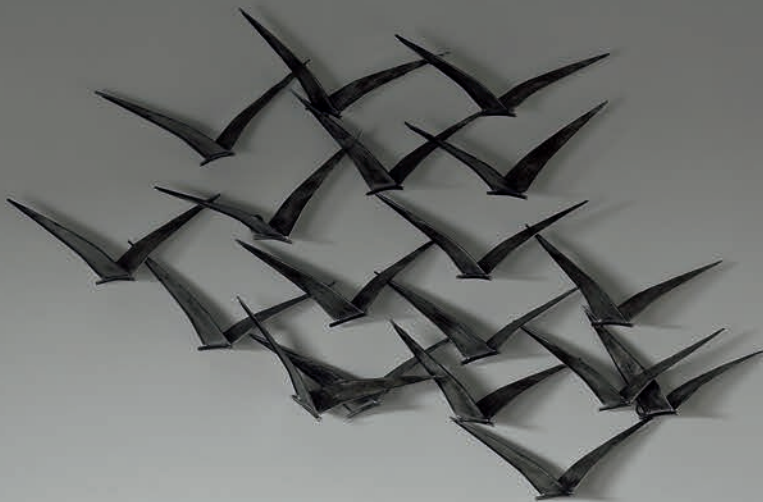


lifetime
warranty



A+

lifetime
warranty



Tucana with a Quadrant Trim in a Catarina 700 Special Suite

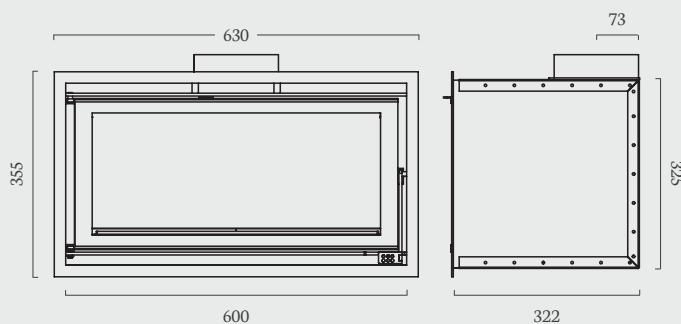


Tucana 600 Wood Only



Contemporary styling with sleek design features, the Tucana 600 is constructed from steel for contemporary styling and maximum heat. DEFRA approved for burning wood in a smoke control area, the Tucana is supported by the Capital Lifetime Warranty and also features an airwash system for maintaining an optimal view of the flames. Pictured here with the stylish Panoramic steel trim to the left and Quadrant trim above.

Nominal Heat Output & Range:	4.9kW
Efficiency:	76%
Flue Exit:	Top
Flue Size:	125mm
Ventilation:	Not normally required (see page 78)
Suitable for a Light Duty Hearth:	No



Clearance to combustibles to the top is 750mm and 112mm to the sides. Please refer to the installation instructions for more info.

Please note the Tucana 600 can be fitted in our Catarina 700 Portuguese Limestone suite as pictured above but will require special made to order slips.

3 year warranty



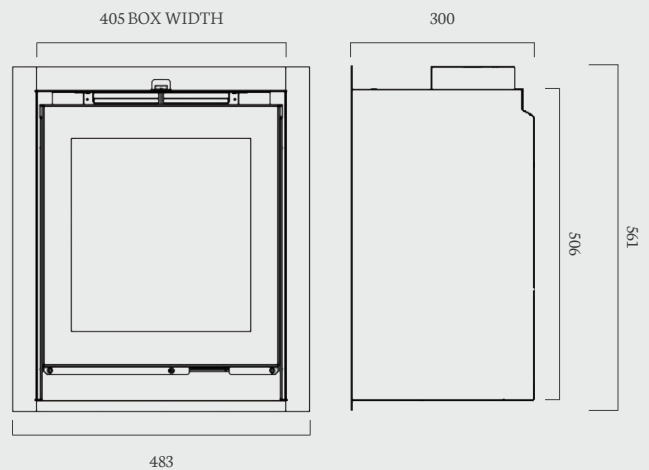


DL400 Natural Gas

Contemporary styling with sleek design features, the DL400 is a high performance gas stove with a fully sequential remote control. Comprising a modern Black Glass chamber, high definition log effect fuel bed and smart black trim.

Pictured here in the Mentmore 44" Corinthian Stone mantel, honed granite slips and a 48" x 15" honed granite hearth.

Fuel:	Natural Gas
Rated Output:	4kW
Efficiency:	81%
Flue Size:	Min 125mm
Control:	Handheld remote with manual override







3 year warranty

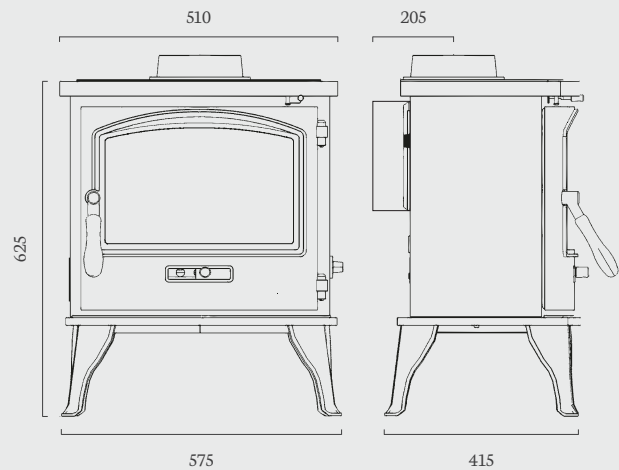
E (M)

D (R)

Traditional Natural Gas

Comprising traditional characteristics for a time honoured look, the Traditional is constructed from cast iron for durability and maximum heat and can be operated with a choice of manual or remote control options. The Traditional Gas is pictured here with a Geocast 54” Classic beam in dark oak with large decorative beam brackets and Red brick chamber.

Output:	4.7kW
Efficiency:	69%
Flue Exit:	Top
Flue Size:	125mm
Ventilation:	Not normally required (see page 78)
Suitable for a Light Duty Hearth:	Yes



Clearance to combustibles is 600mm to the top and 300mm to the sides, clearance to non-combustibles is 100mm. Please refer to the installation instructions for more info.

Vega B7/C7 Natural Gas or LPG

The Vega Gas is a stunning, superior stove manufactured in high quality cast iron and available with the option of conventional flue or balanced flue for those without a chimney.

Suitable for a 12mm light duty hearth, the Vega Gas can be conveniently controlled from the comfort of your armchair and features a high definition ceramic log effect fuel bed creating a truly authentic look. Available with a standard up and out flue kit as an optional extra and pictured here with a Geocast 48" Classic ambient lit beam in Light Oak and Red brick chamber.

Output: High: 4.3kW / Low: 2.7kW

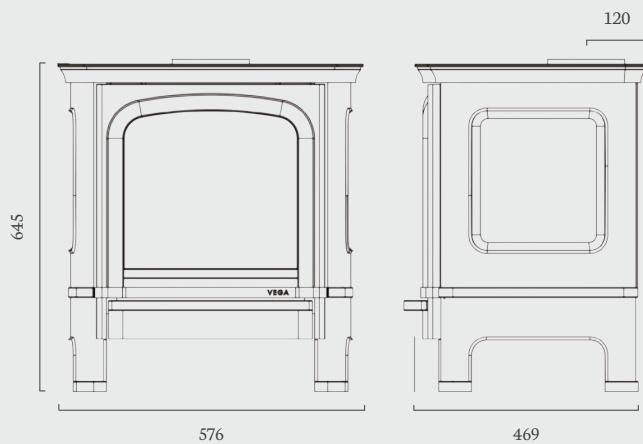
Efficiency: (BF) Up to 75% / (CF) Up to 69%

Flue Exit: Top

Flue Size: (BF)150mm / (CF) 100mm

Ventilation: Not normally required (see page 78)

Suitable for a Light Duty Hearth: Yes



Clearance to combustibles is 280mm, clearance to non-combustibles is 75mm. Please refer to the installation instructions for more info.



3 year warranty

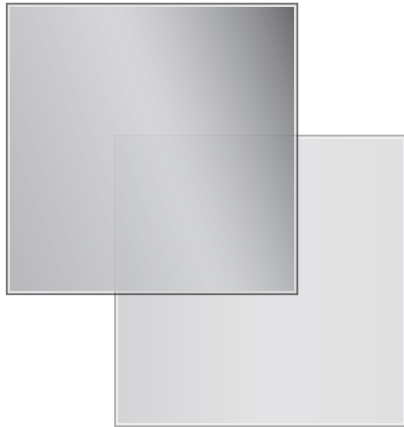


B (B7)

D (C7)

GLASS HEARTHS

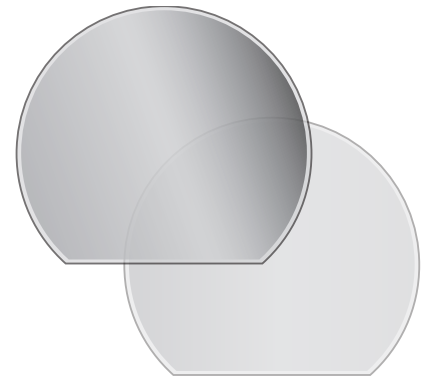




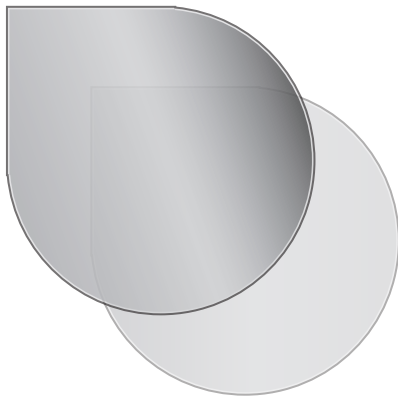
SQUARE
900mm x 900mm



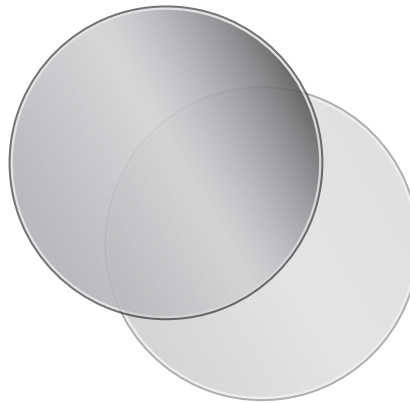
SEMI CIRCLE
1100mm x 850mm



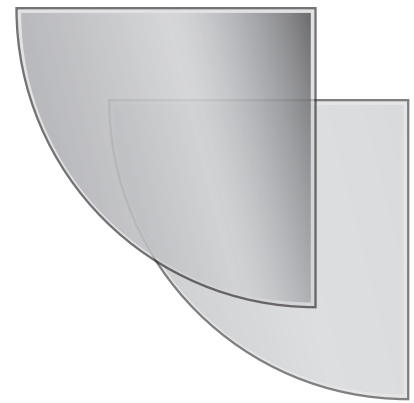
TRUNCATED
1100mm x 950mm



TEAR DROP
1100mm x 1100mm



CIRCULAR
1100mm



¼ CIRCLE
1200mm

LIGHT DUTY STOVE GLASS HEARTHES

Our high quality, light duty 12mm thick tempered glass hearths are a contemporary alternative to complement our stove range, available in six shapes with an option of Smoked or Transparent finishes.

STOVE CHAMBERS



SLATE & STONE CHAMBERS



RIVEN SLATE



RUSTY SLATE



CORINTHIAN STONE
(MADE TO MEASURE NOT AVAILABLE)

Made to Measure Chambers Available on Request

Slate Chamber Dimensions (mm): 1x (1015 w x 1000 h x 20-30 thick) 2x (450 w x 1000 h x 20-30 thick)

Minimum clearance distances apply, visit our website for instructions. Please note colours may vary.



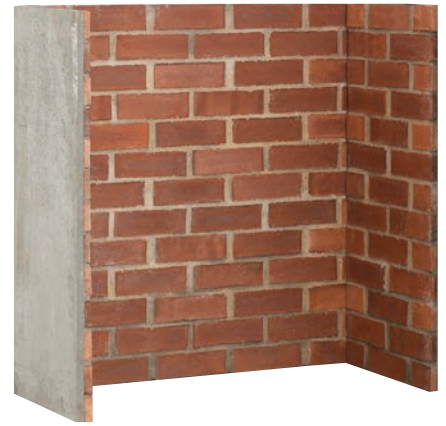
BRICK CHAMBERS



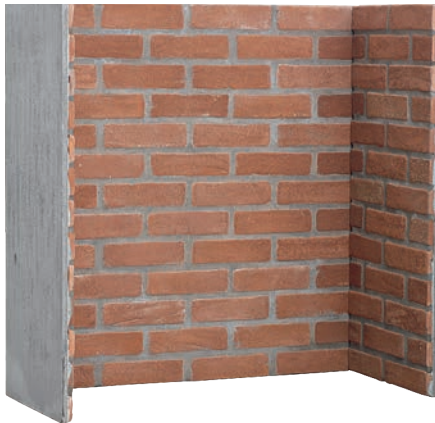
POMPEII



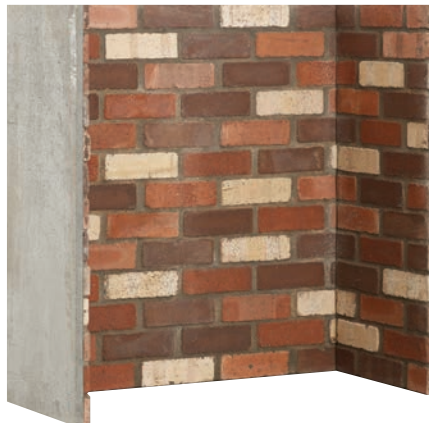
RUSTIC HERRINGBONE



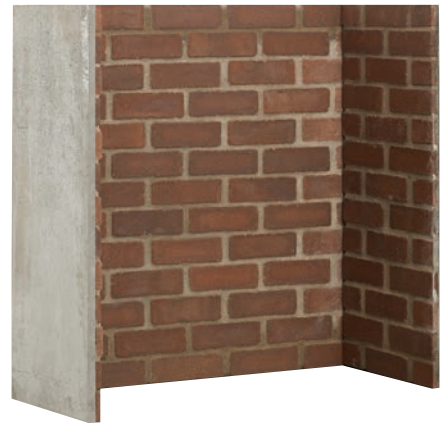
COBBLED RED



RED



RAINBOW



RUSTIC



RETURNS



RETURNS & ARCH

Brick Chamber Dimensions (mm):
 1x (1015 w x 1000 h x 30 thick)
 2x (450 w x 1000 h x 30 thick)
 Arched Chamber (mm):
 1x (1015 x 1000) 2x (450 x 850)
 Arch 1115 x 215
 Brick Side Returns: 95-100mm,
 Arch Height Opening: Max 810mm
 Minimum clearance distances apply,
 visit our website for instructions.
 Please note colours may vary.

STOVE BEAMS





Geocast Classic Beam

Available in sizes 36", 42", 48" & 54"

Our non-combustible oak effect classic beams available in Light, Dark and Antique Oak, have been developed from a natural and extremely durable material and are molded to achieve ultimate high definition creating a truly authentic look. Being non-combustible, our Geocast beams allow smaller clearance distances than natural wood.*

Ambient lighting can also be supplied (as seen on page 66) on our 48" and 54" classic beams as an optional extra, that not only creates a warmer impression in your home, but also gives more

focus to the fire. The lighting kit can be operated separately to the stove, meaning you're able to maintain a cosy ambience with or without the stove being lit.

Our new decorative beam brackets are a great addition to enhance the visual effect of the Geocast Classic beams. Please see pages 26 and 67 for images.

Please note all of our beams are hand finished therefore may vary slightly. *See our website for clearances.



48" Antique Oak with Ambient Lights



DECORATIVE BEAM BRACKETS

54" Dark Oak (shown with large decorative beam brackets)





Dark Oak

Geocast 48" Contemporary Oak Beam *Light & Dark Oak*

Our non-combustible oak effect beams have been developed from a natural and extremely durable material and are molded to achieve ultimate high definition creating a truly authentic look.

Being non-combustible, our Geocast beams allow smaller clearance distances than natural wood.*

The Geocast Contemporary Beam is available in 48" in a choice of Dark or Light Oak finishes as pictured to the left with the Avebury Eco stove, Rustic brick chamber and **our new beautifully rustic 48" x 15" Farmhouse stone hearth.**

*Please see our website for clearances.





Dark Oak

Geocast Rustic Beam Natural & Dark Oak

Available in 48" & 54"

Our non-combustible oak effect beams have been developed from a natural and extremely durable material and are molded to achieve ultimate high definition creating a truly authentic look.

Being non-combustible, our Geocast beams allow smaller clearance distances than natural wood.*

Beautifully rustic yet sophisticated with a natural and dark oak finish, the Geocast Rustic Beam embraces a rural, country charm look and feel, perfect for the traditional home. Available in sizes 48" and 54".

*Please see our website for clearances.





Geocast 48" Contemporary Stone Mineral Grey

Our non-combustible oak effect beams have been developed from a natural and extremely durable material and are molded to achieve ultimate high definition creating a truly authentic look.

Being non-combustible, our Geocast beams allow smaller clearance distances than natural wood.*

Beautifully modern with a satin smooth, mineral grey finish, the Geocast Contemporary Stone beam is paired perfectly here with a Rusty Slate chamber, Scene Eco stove and honed granite front and back hearth.

*Please see our website for clearances.





Geocast 48” Contemporary Steel Stove Grey

Our non-combustible oak effect beams have been developed from a natural and extremely durable material and are molded to achieve ultimate high definition creating a truly authentic look.

Being non-combustible, our Geocast beams allow smaller clearance distances than natural wood.*

Beautifully modern and minimalistic with a stove grey paint finish, the Geocast Contemporary Steel beam is paired perfectly here with the reeded black chamber, Bassington Eco Baseline stove and honed granite hearth, slabbed for solid fuel.

*Please see our website for clearances.

GEOCAST BEAM OVERVIEW

Geocast Classic Beam Available in sizes 36" (915mm), 42" (1070mm), 48" (1220mm) & 54" (1370mm)

140 mm (H) x 105 mm (D)



Geocast Contemporary Oak Beam Available in 48" (1220mm)

140 mm (H) x 95 mm (D)



LIGHT OAK



DARK OAK

Geocast Rustic Beam Available in 48" (1220mm) & 54" (1370mm)

130 mm (H) x 100 mm (D)



DARK OAK



NATURAL OAK

Geocast Contemporary Stone Available in 48"

1220 mm (W) x 140 mm (H) x 105 mm (D)



MINERAL GREY

Geocast Contemporary Steel Available in 48"

1220 mm (W) x 150 mm (H) x 60 mm (D)



STOVE GREY

STOVE VENTILATION

Houses built before 2008: Houses built before 2008 are likely to have an air permeability greater than $5\text{m}^3/\text{h.m}^2$ so stoves with an output below 5kW do not require an air vent. However, stoves with outputs above 5kW require a permanently open vent. So for each kW of output above 5kW allow 550mm^2 of air supply. Extensive renovation of an older property carried out after 2008 may reduce the air permeability to less than 5m^3 , in which case the guidance for houses built after 2008 should be followed. Chimneys with flue stabilisers are subject to different ventilation requirements.

Houses built after 2008: Houses built after 2008 with an air permeability of less than $5\text{m}^3/\text{h.m}^2$ require the air supply to be calculated for the whole of the stove's rated output. This means that the installation of stoves with an output of less than 5kW must now have a permanently open air vent. Allow 550mm^2 of air supply for each kilowatt of rated output. Seek advice from your retailer and building regulator.

CAPITAL STOVE LIFETIME WARRANTY

All Capital multi fuel and wood burning stoves are covered by a Lifetime Warranty for added peace of mind (valid for original purchases only) from date of sale. This Warranty excludes the following naturally wearing consumable items; door glass, firebricks, rope seals, baffle and grate (including riddling mechanism).

This Warranty also excludes the "warm white enamel" finish on any of our stoves. Enamel finish products are inherently susceptible to crazing and chipping in the normal wear and tear of the product life.

In addition, the following criteria must be met:

Sight of the data plate that should have been fitted by the approved installer.

Proof of installation by HETAS or other approved body, or letter from Building Control confirming that the installation was installed in accordance with the Building Regulations.

Proof of purchase from one of our approved suppliers.

Proof of annual sweeping of chimney, at which time an inspection as to the condition of the chimney should be carried out to allow for necessary maintenance to be performed.

Capital Fireplaces Ltd reserve the right to change specification or de-list products at any time. Due to the nature of the materials and appliances used within this brochure, actual finishes and colours may vary slightly. Flames shown may also vary depending on gas type, fuel quality and the performance of the flue or chimney, images in this brochure are for illustration purposes only.

CLEANBURN STOVES

To burn fuel in a smoke controlled area the law determines that either the fuel should be smokeless or the appliance should be approved by DEFRA (Department of the Environment, Fisheries and Rural Affairs) normally these appliances are approved by DEFRA for burning kiln dried wood. Some of our DEFRA approved products are capable of burning both kiln dried wood and anthracite in smoke control areas, a dual fuel use that most cleanburn products cannot offer.

All Capital Stoves are manufactured from cast iron or steel therefore it is vital that appliances undergo a period of "burning in", this involves small fires initially, gradually increasing in size with each firing. If this process is adhered to you should experience years of enjoyable, trouble free use.

All Capital Stoves are CE approved to EN13240.

Please note many of the flue pipes shown in this brochure have been sprayed with one of Capital Fireplaces high temperature paints to match the finish of the stove.

The use of unauthorised fuels such as petro-cokes will also invalidate the Warranty.

All Capital gas stoves are covered by a full 1 year parts and labour Warranty with a further 2 year parts only Warranty. Subject to proof of annual service history, please contact your retailer for more information.

Capital Fireplaces Ltd will accept no responsibility for installations which have been carried out that are not in accordance to the Building Regulations or if the conditions stated in the manufacturer's instructions are not adhered to. Warranty applies to parts only.

IMPORTANT POINTS

Always read user instructions prior to initially using the stove.

We recommend burning kiln dried wood, this will give you up to twice the heat output of freshly felled timber and helps reduce tar build up in the flue.

Do not overload the stove at any one time.

Never burn household rubbish as this can give off harmful gasses and will reduce the performance of the stove.

STOVE PACKAGE

Any Eco 2022 Black Cast Iron Stove, Cascada 5, Principal, Imperial, Quadrical or Essence Stove, any 48" Geocast Unlit Beam, any Standard Brick Chamber, Polished or Honed Granite 48" x 15" Slabbed Hearth, 38" x 15" Granite Back Hearth and Stove Installation Kit.

Please speak to your local retailer for special pricing packages.



fantastic
saving

CAPITAL
— STOVES —

www.capitalfireplaces.co.uk