

CAPITAL — FIRES —

LEADING SUPPLIER OF LUXURY FIREPLACES





CAPITAL — FIRES —

ELECTRIC FIRES

Shannara	06-07
Regina	08-09
Voltek 22	10-11
Lectro	12-13

CONTEMPORARY GAS FIRES

TL70sl	14-15
Design Line 400	16-19
Design Line 500	20-23
Design Line 700	24-27
Design Line 800	28-31

INSET GAS FIRES

Pulsar	32-33
Stratos	34-35
Corvar	36-37
Regulus	38-39
Omega	40-41
Ascella	42-43

TECHNICAL INFORMATION

Guide to Choosing a Fire	44-46
Dimensions	47-48





evoflame[®]
ULTRAHD

CAPITAL INSET FIRES

Our gas and electric fire range has been specifically designed to offer a wide range of trim options to complement the décor of your home. The range also offers great flexibility when it comes to installation, so whether you have a traditional chimney, modern flue or no chimney at all, we have a fire to suit your needs.

Depending on the fire, you can also choose between coal and log effect fuel beds. The majority of our gas fires include a slide control which enables you to light and control the fire without having to bend down and remove the ashpan cover.





DESIGN LINE

- FIRES OF STYLE -

Contemporary glass fronted gas fires with large viewing windows and high definition log fuel beds make these fires a striking feature in any room. Supplied with a programmable remote control hand set as standard.



evoflame[®]
ULTRAHD





Shannara with Chimney Breast

Shannara Electric Fireplace

The Shannara Electric Fireplace creates a modern and contemporary focal point to any room. The e-series electric fire features the evoflame ultra hd effect that not only gives the impression of a deep and rich flame picture produced using energy saving LED's but also incorporates the latest in non-reflective front glass technology.

Additional features are a unique flicker effect that adds realism and movement to the fuel bed and a fully programmable remote control system. This modular fireplace comes in 5 pieces which simply fit together to form a stunning centrepiece. Designed to fit on a flat wall, the Shannara requires no existing chimney and minimal installation work. Shown above with the full length chimney breast option and to the left in its standard compact version. This fireplace can be made to measure and is available in a choice of standard and customised colours.

Model:	Shannara Electric Fireplace
Fuel Bed:	Woodland Logs
Heat Output:	1 & 2kW
Flame Effect Only:	Yes
Control:	Fully Programmable Remote System
Height:	32" (813mm)
Height with Chimney Breast:	87" (2210mm)
Width:	58" (1473mm)
Depth:	16" (406mm)

2 year
warranty





Regina Standard

Regina Electric Fireplace

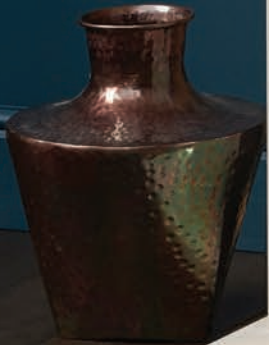
The Regina Electric Fireplace creates a modern and contemporary focal point to any room and features a gently curving front profile. The e-series electric fire features the evoflame ultra hd effect that not only gives the impression of a deep and rich flame picture produced using energy saving LED's but also incorporates the latest in non-reflective front glass technology. Additional features are a unique flicker effect that adds realism and movement to the fuel bed and a fully programmable remote control system.

This modular fireplace comes in 5 pieces which simply fit together to form a stunning centrepiece. Designed to fit on a flat wall, the Regina requires no existing chimney and minimal installation work. Shown to the left with the full length chimney breast option and above in its standard compact version. This fireplace can be made to measure and is available in a choice of standard and customised colours.

Model:	Regina Electric Fireplace
Fuel Bed:	Woodland Logs
Heat Output:	1 & 2kW
Flame Effect Only:	Yes
Control:	Fully Programmable Remote System
Height:	37" (940mm)
Height with Chimney Breast:	87" (2210mm)
Width:	54" (1372mm)
Depth:	16" (406mm)

2 year
warranty

▶
watch on
our website





mix 'n' match
 trims & frets



Voltek 22 Electric Inset Fire

SUPER WIDE 22" FUEL BED BUT STILL FITS A STANDARD 16" X 22" OPENING

Introducing the Voltek 22, a stunning electric inset fire with a log effect fuel bed and available with multiple trim and fret options to choose from including Black, Polished and Nickel finishes. Please visit our website to view the full selection of trims and frets.

Pictured to the left with the Lyrel 52" Portuguese Limestone suite and LED ambient lighting, the Voltek is a fine choice for those without a chimney but seeking a realistic, high definition fire.

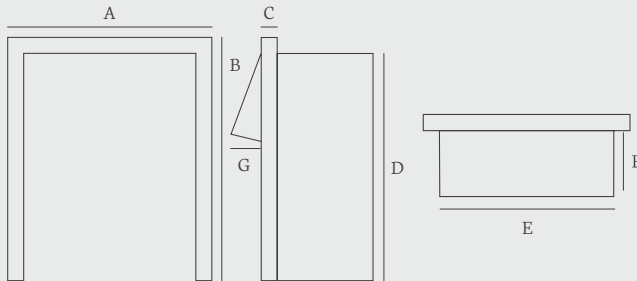
Model:	Voltek Electric Inset Fire
Fuel Bed:	Log Effect
Suitability:	No Chimney Required
Heat Output:	750W and 1500W
Control:	Manual (Remote Optional Extra)
Height/Width:	605mm / 645mm
Depth:	75mm

Lectro Electric Inset Fire

The Lectro is a classic inset electric fire supplied with both coals and pebbles and can be fitted with or without a chimney.

Available as manual or remote control, the Lectro is pictured here with the Murtosa 42" Portuguese Limestone suite and Abri polished fireframe. This inset electric fire is available with all the Capital fireframes, trims and frets pictured on pages 45 and 46.

Model:	Lectro Electric Inset Fire
Fuel Bed:	Coals or Pebbles
Suitability:	No Chimney Required
Heat Output:	Variable Effect Only (1kW & 2kW)
Control:	Hand-held Remote with Manual Override



	ABRI	CAPELLA	FLARE	MIZAR	PROVIDENT	HALO	TRIM & FRET
A	520	520	520	520	590	602	510
B	655	615	635	615	740	662	610
C	80	75	75	75	85	104	10
D	565	565	565	565	565	545	565
E	410	410	410	410	410	410	410
F	75	75	75	75	75	75	75
G	50	45	40	45	70	45	50



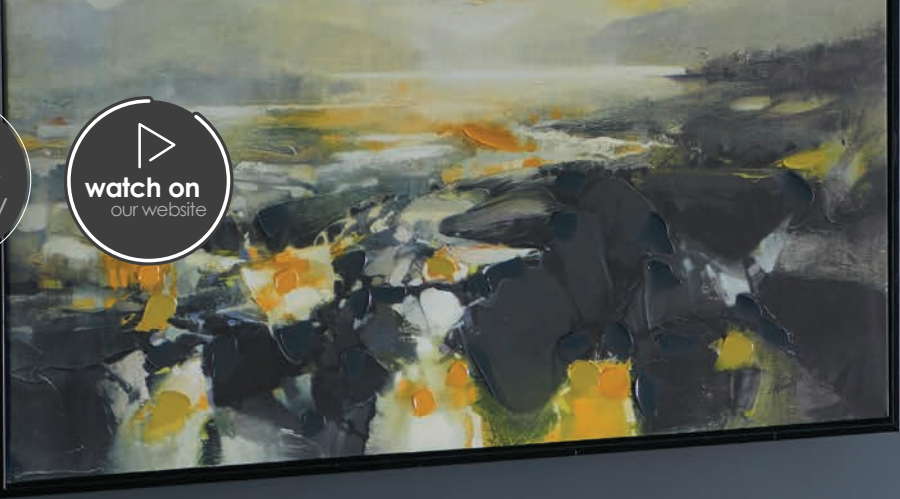
2 year
warranty

▶
watch on
our website



3 year
warranty


watch on
our website





B

TL70sl Gas Inset Fire

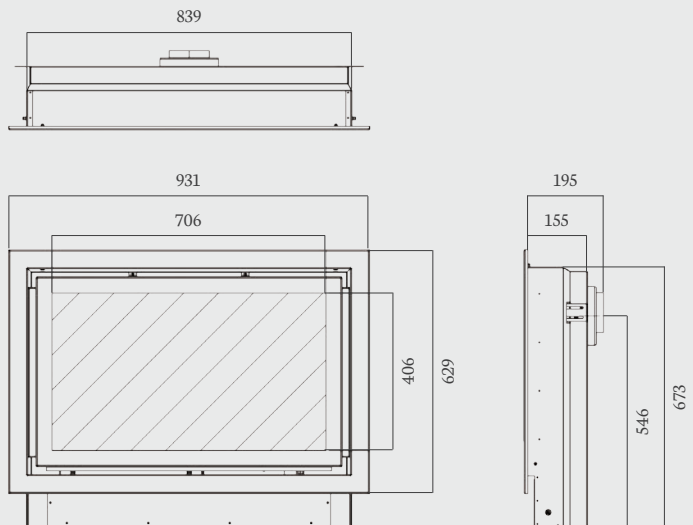
**PERFECT
FOR HOMES
WITHOUT A
CHIMNEY**

With an innovative, versatile design the compact TL70sl is easy to install and simple to service. The TL70sl can be wall mounted and installed directly to any outside facing wall, perfect for homes without a chimney, or alternatively it can be retrofitted into older properties.

One of the biggest advantages is that there is minimal building work required due to its innovative, slim design that allows fitting into the cavity of a standard outside wall. The TL70sl will fit perfectly with virtually all interiors and is fitted with a minimalist decorative frame with sleek lines for that contemporary living statement.

Supplied as standard with an Ecomax remote control, adjustable legs, control access door and an innovative double burner system. Optional upgrades include Wi-Fi compatibility and anti-reflective glass, please visit our website for further information.

Fuel:	Natural Gas / LPG
Output:	3.8kW / 3.6kW
Efficiency:	83% / 82%
Fuel Bed:	High Definition Logs
Control:	Remote Control

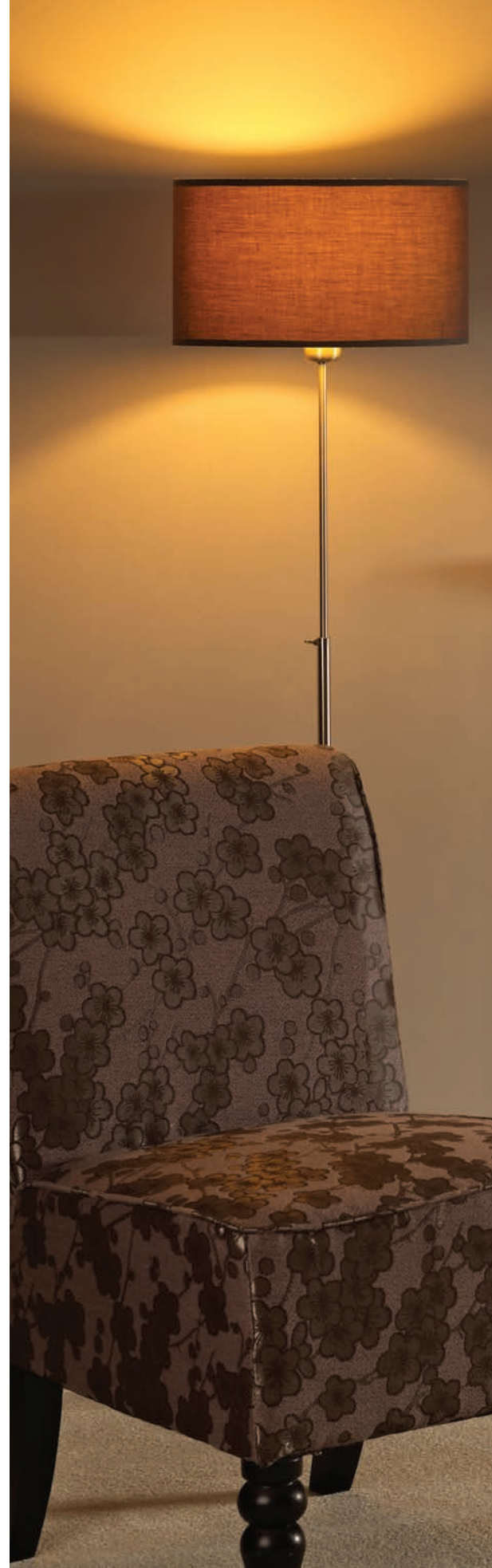
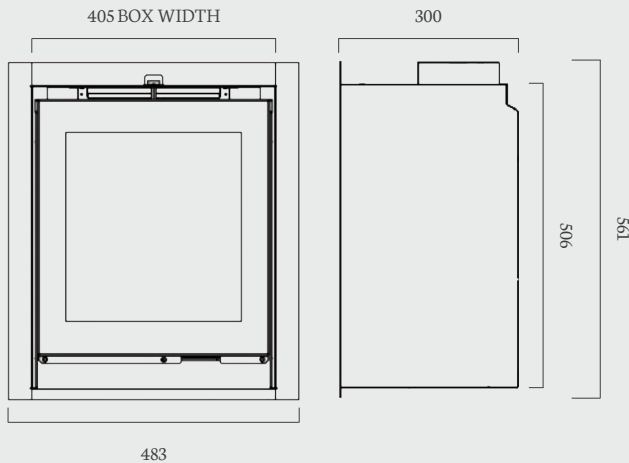


Design Line 400 Gas Inset Fire

Contemporary styling with sleek design features, Design Line is a high performance range with a fully sequential remote control. The DL400 comprises a modern Black Glass chamber, a high definition log effect fuel bed and is available with an optional three or four sided trim and fret. Pictured here with the Dalton 48" Portuguese Limestone suite.

Model:	DL400 Inset Gas Fire
Efficiency:	81%
Fuel:	Natural Gas
Interior:	Black Glass Chamber
Rated Output:	4kW
Flue Size:	Min 125mm
Control:	Hand-held Remote with Manual Override

DESIGN
LINE





3 year
warranty

▶
watch on
our website



E



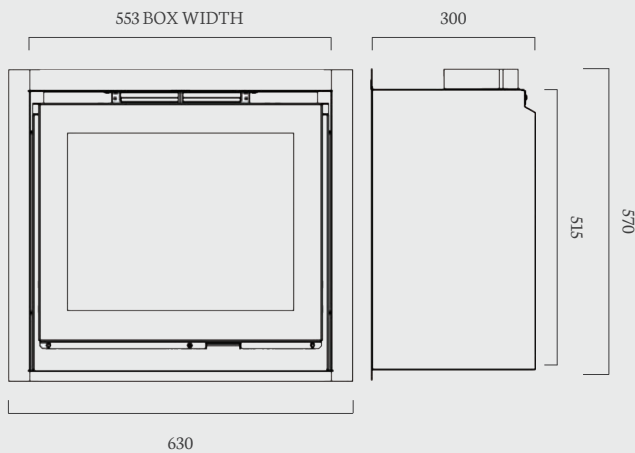


DL400 (Top) 4 Sided Trim (Bottom) Trimless with Bauhaus Fret and 3 Piece Slips

Design Line 500 Gas Inset Fire

Contemporary styling with sleek design features, Design Line is a high performance range with a fully sequential remote control. The DL500 comprises a modern choice of interiors including Black Glass or Brick effect and comes with a high definition log effect fuel bed as standard. Pictured here with a Black Glass Chamber and the Holwell 42" Portuguese Limestone suite.

Model:	DL500 Inset Gas Fire
Efficiency:	80.6%
Fuel:	Natural Gas
Interior:	Black Glass or Brick Effect
Rated Output:	4kW
Flue Size:	Min 125mm
Control:	Hand-held Remote with Manual Override



3 year warranty

watch on our website



D



Design Line 500 with a Brick Interior



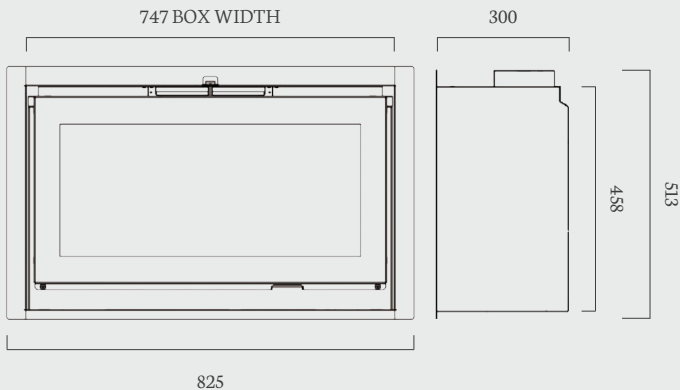
Design Line 500 with a Black Glass Interior & Polished Granite Slips

Design Line 700 Gas Inset Fire

Contemporary styling with sleek design features, Design Line is a high performance range with a fully sequential remote control. The DL700 comprises a modern choice of interiors including Black Glass or Brick effect and comes with a high definition log effect fuel bed as standard. Pictured here with a Black Glass Chamber and the Catarina 700 Portuguese Limestone suite.

Model:	DL700 Inset Gas Fire
Efficiency:	87.2%
Fuel:	Natural Gas
Interior:	Black Glass or Brick Effect
Rated Output:	4.71kW
Flue Size:	Min 125mm
Control:	Hand-held Remote with Manual Override

DESIGN
LINE





3 year warranty

watch on our website



C



Design Line 700 with a Brick Interior



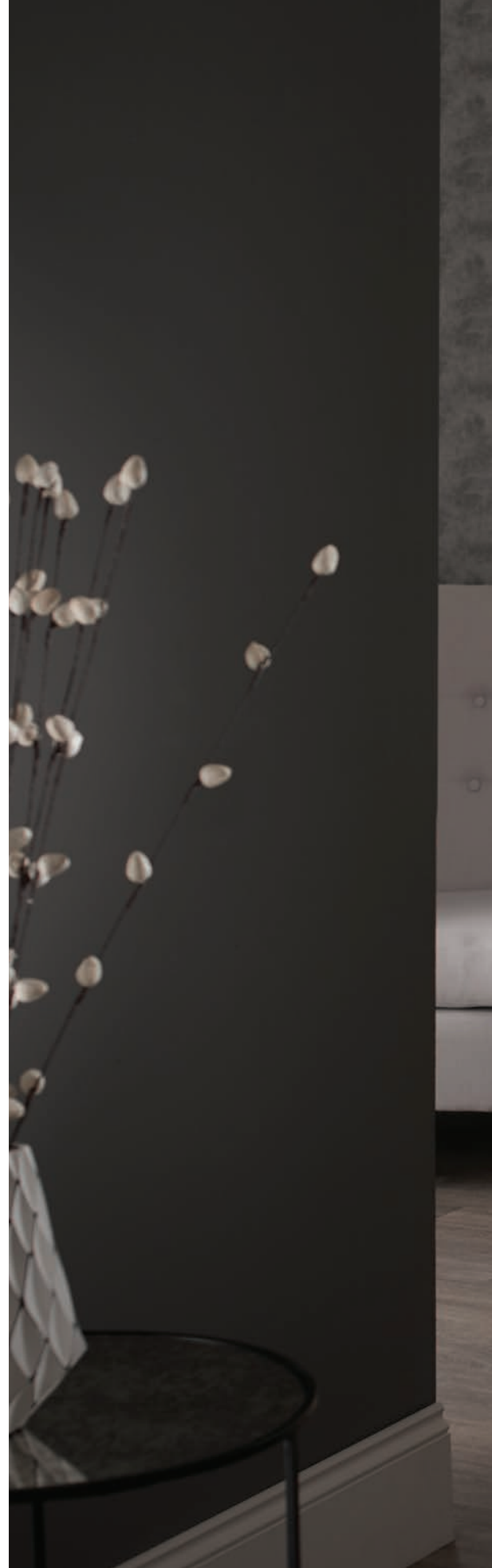
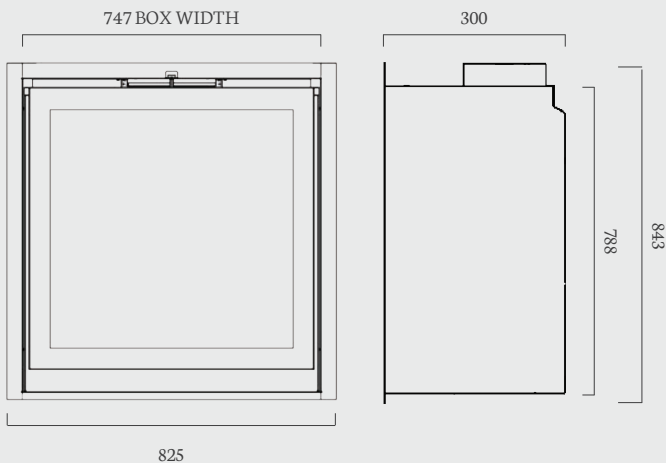
Design Line 700 with a Black Glass Interior & Honed Granite Slips

Design Line 800 Gas Inset Fire

Contemporary styling with sleek design features, Design Line is a high performance range with a fully sequential remote control. The DL800 comprises a modern choice of interiors including Black Glass or Brick effect and comes with a high definition log effect fuel bed as standard. Pictured here with a Brick interior and Mulholland 54" Aegean Limestone mantel.

Model:	DL800 Inset Gas Fire
Efficiency:	78%
Fuel:	Natural Gas
Interior:	Black Glass or Brick Effect
Rated Output:	5.2kW
Flue Size:	Min 125mm
Control:	Hand-held Remote with Manual Override

DESIGN
LINE



3 year
warranty

▶
watch on
our website



D



Design Line 800 with a Black Glass Interior



Design Line 800 with a Black Glass Interior

3 year
warranty


watch on
our website





Pulsar Full Depth Radiant Gas Fire

The Pulsar is a contemporary full depth decorative gas fire with a choice of log or coal effect fuel beds. Available with slide control as standard enabling you to light and control the fire without having to bend down and remove the ashpan cover.

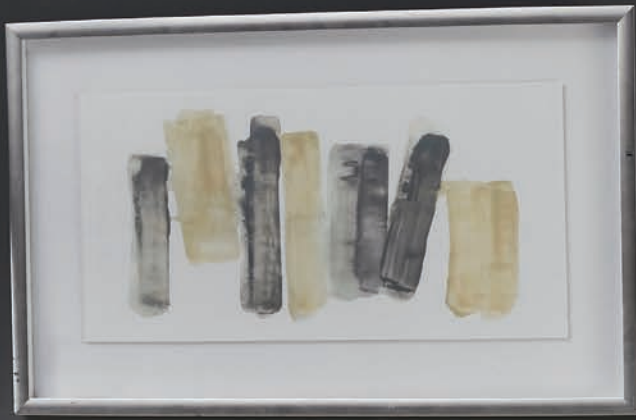
The Pulsar is pictured to the left with the Mizar antique brass fireframe in the Lyrel suite and above with the Flare antique brass fireframe. This inset fire is available with all the Capital fireframes, trims and frets pictured on pages 45 and 46.

Dimensions can be found on page 47, please note this product is not suitable for primary heating purposes and should be used in conjunction with the primary heating system.

Model:	Pulsar Inset Decorative Gas Fire
Fuel Bed:	Log or Coal Effect
Suitability:	Class I & Class II
Heat Input:	6.9kW
Heat Output:	3.9kW
Gas Type:	Natural Gas & (LPG - Special Order)
Control:	Slide Control
Air Vent:	Not Normally Required

3 year
warranty

watch on
our website





Stratos Medium Depth Radiant Gas Fire

The Stratos is a contemporary medium depth decorative gas fire with a coal effect fuel bed, perfect for use in shallower chimneys and available with slide control as standard.

The Stratos is pictured to the left with the Abri black fireframe and above with the Flare brushed copper fireframe. This inset fire is available with all the Capital fireframes, trims and frets pictured on pages 45 and 46.

Dimensions can be found on page 47, please note this product is not suitable for primary heating purposes and should be used in conjunction with the primary heating system.

Model:	Stratos Inset Decorative Gas Fire
Fuel Bed:	Coal Effect
Suitability:	Class I & Class II
Heat Input:	6.2kW
Heat Output:	3.5kW
Gas Type:	Natural Gas
Control:	Slide Control
Air Vent:	Not Normally Required

3 year
warranty

▶
watch on
our website





Corvar Slimline Radiant Gas Fire

The Corvar is a contemporary, ultra shallow decorative gas fire with a coal effect fuel bed. Available with slide control as standard enabling you to light and control the fire without having to bend down and remove the ashpan cover.

The Corvar is pictured to the left with the Halo fireframe and above with the Flare black fireframe. This inset fire is available with all the Capital fireframes, trims and frets pictured on pages 45 and 46.

Dimensions can be found on page 47, please note this product is not suitable for primary heating purposes and should be used in conjunction with the primary heating system.

Model:	Corvar Inset Decorative Gas Fire
Fuel Bed:	Coal Effect
Suitability:	Class I & Class II
Heat Input:	5.5kW
Heat Output:	3kW
Gas Type:	Natural Gas
Control:	Slide Control
Air Vent:	Not Normally Required

3 year
warranty

▶
watch on
our website





Regulus Full Depth Radiant Gas Fire

The Regulus is a classic full depth decorative gas fire with a coal effect fuel bed and no canopy. Available with a manual control, the Regulus can also be supplied with a choice of pebbles as an optional fuel bed.

Pictured to the left with a brushed steel trim and polished fret in the Dalton suite and above with a brass trim and antique brass fret. This inset fire is available with the Capital trims and frets pictured on page 46.

Dimensions can be found on page 48, please note this product is not suitable for primary heating purposes and should be used in conjunction with the primary heating system.

Model:	Regulus Inset Decorative Gas Fire
Fuel Bed:	Coal Effect (Pebbles Optional)
Suitability:	Class I Chimney
Heat Input:	6.9kW
Heat Output:	Up to 3.5kW
Gas Type:	Natural Gas (LPG Available)
Control:	Manual
Air Vent:	Not Normally Required
Efficiency (Net):	Up to 50%

3 year
warranty

▶
watch on
our website





Omega Full Depth Convector Gas Fire

The Omega is a classic full depth convector gas fire with a coal effect fuel bed for Class I Chimneys. Available with slide control as standard which enables you to light and conveniently control the fire without having to bend down and remove the ashpan cover.

The Omega is pictured to the left with the Abri brushed copper fireframe and above with the Mizar dark lustre fireframe. This inset fire is available with all the Capital fireframes, trims and frets pictured on pages 45 and 46.

Dimensions for the Omega can be found on page 48.

Model:	Omega Inset Convector Gas Fire
Fuel Bed:	Coal Effect
Suitability:	Class I
Heat Input:	6.9kW
Heat Output:	Up to 4kW
Gas Type:	Natural Gas (LPG - Special Order)
Control:	Slide Control
Air Vent:	Not Normally Required
Efficiency (Net):	Up to 64.4%

3 year
warranty


watch on
our website





Ascella Glass Fronted Full Depth Convector Gas Fire

The Ascella is a highly efficient, full depth glass fronted gas fire with a coal effect fuel bed. Available with slide control as standard, enabling you to light and conveniently control the fire without having to bend down and remove the ashpan cover.

The Ascella is pictured to the left with the Capella polished fireframe and above with the Flare black fireframe. This inset fire is available with all the Capital fireframes, trims and frets pictured on pages 45 and 46.

Dimensions for the Ascella can be found on page 48.

Model:	Ascella Inset Glass Fronted Gas Fire
Fuel Bed:	Coal Effect
Suitability:	Class I Flue & Class II Flue
Heat Input:	5kW
Heat Output:	Up to 3.85kW
Gas Type:	Natural Gas
Control:	Slide Control
Air Vent:	Not Normally Required
Efficiency (Net):	Up to 89%

GUIDE TO HELP CHOOSING YOUR NEW INSET FIRE

STEP 1: WHICH FIRE?

When searching for a new fire, it's important to understand the type of flue you have as this will often dictate your choice;

CLASS I



Commonly in older houses, earlier than 1960. The Class I chimney is identifiable by 7" (180mm) or greater diameter flue. The existing chimney must be structurally sound, please check before the installation of a new fireplace.

This chimney is suitable for the Voltek and Lectro electric fires as well as the Design Line, Pulsar, Stratos, Corvar, Regulus, Omega and Ascella gas fires.*

CLASS II



Either an older house where the existing chimney has been lined by a proprietary steel flue or a newer house with a steel flue built in. This chimney type is identifiable by a 5" (130mm) diameter flue and a steel flue terminal.

This chimney is suitable for the Voltek and Lectro electric fires as well as the Design Line, Pulsar, Stratos, Corvar and Ascella gas fires.*

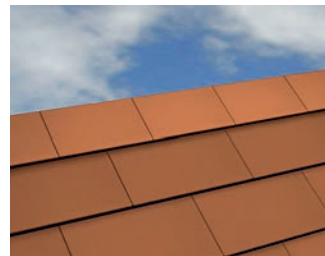
PRE-CAST FLUE



Modern houses generally later than 1960 often have a pre-cast concrete chimney system, identifiable by a rectangular box section flue and a terminal, as illustrated in the picture above.

This flue is suitable for the Stratos and Corvar gas fires and electric fire range.*

NO CHIMNEY



Modern houses often have no chimney therefore only suitable with our electric fire range or balanced flue gas fires. A new twin-walled insulated chimney could also be installed in this case.*

**Further inspection must be carried out from one of our approved retailers before installation*

STEP 2: FIREFRAME OR TRIM & FRET?

A gas or electric fire not only provides comfort and cosy warmth, it can also make a stylish statement in your home. We have a superior range of fireframes, trims and frets to choose from, available in a selection of finishes to complete the look of your fireplace.

All of our gas and electric inset fires can be fitted with either a fireframe or trim and fret, excluding the Regulus inset fire which can only be fitted with a trim and fret.

Please note our Stratos, Corvar and Pulsar inset gas fires can be fitted without a canopy as pictured on the fireframe to the right.



**FIREFRAME
BRUSHED COPPER**



**TRIM & FRET
BRUSHED STEEL TRIM
& POLISHED FRET**

STEP 3: DESIGN AND COLOUR?

Choose from our comprehensive range of designs and colours for our fireframes, trims and frets as shown below and on page 46;



ABRI FIREFRAME (*ANTIQUE BRASS*) ALSO AVAILABLE IN:



BLACK



BRONZE



DARK LUSTRE



POLISHED



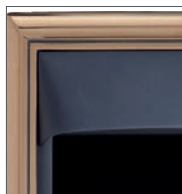
BRUSHED
COPPER



CAPELLA FIREFRAME (*BLACK*) ALSO AVAILABLE IN:



ANTIQUE
BRASS



BRONZE



DARK LUSTRE



POLISHED



BRUSHED
COPPER



FLARE FIREFRAME (*BRONZE*) ALSO AVAILABLE IN:



ANTIQUE
BRASS



BLACK



POLISHED



DARK LUSTRE



BRUSHED
COPPER



MIZAR FIREFRAME (POLISHED) ALSO AVAILABLE IN:



ANTIQUÉ
BRASS

BLACK

BRONZE

DARK LUSTRE

BRUSHED
COPPER



TRIM & 16" BAUHAUS FRET (BLACK) ALSO AVAILABLE IN:



POLISHED STEEL
TRIM & CHROME
FRET

BRASS TRIM
AND ANTIQUÉ
BRASS FRET

BRUSHED
STEEL TRIM &
POLISHED FRET

(POLISHED TRIM AND
FRET NOT AVAILABLE ON
THE PULSAR, CORVAR &
STRATOS FIRES)

OTHER FRAME OPTIONS AVAILABLE;



PROVIDENT HIGHLIGHT
(MATCHING BACK PANEL
ALSO AVAILABLE)



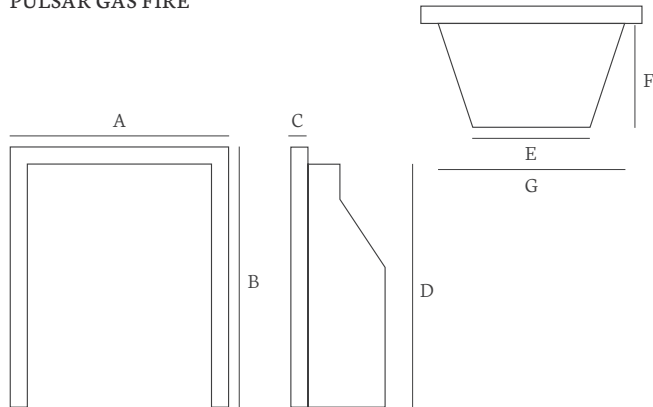
PROVIDENT BLACK
(MATCHING BACK PANEL
ALSO AVAILABLE)



HALO BLACK

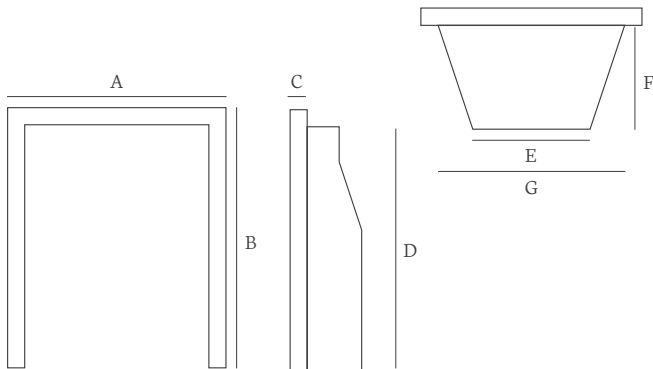
INSET FIRE DIMENSIONS

PULSAR GAS FIRE



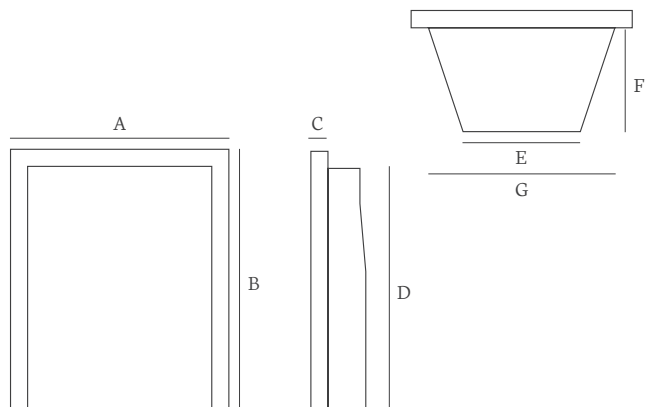
	ABRI	CAPELLA	FLARE	MIZAR	PROVIDENT	HALO	TRIM & FRET
A	520	520	520	520	590	602	510
B	655	615	635	615	740	662	610
C	80	75	75	75	85	104	25
D	551	551	551	551	551	551	551
E	265	265	265	265	265	265	265
F	195	195	195	195	195	195	195
G	402	402	402	402	402	402	402

STRATOS GAS FIRE



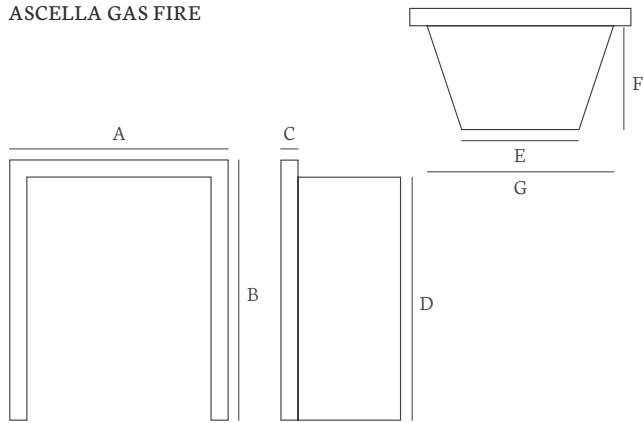
	ABRI	CAPELLA	FLARE	MIZAR	PROVIDENT	HALO	TRIM & FRET
A	520	520	520	520	590	602	510
B	655	615	635	615	740	662	610
C	80	75	75	75	85	104	25
D	551	551	551	551	551	551	551
E	236	236	236	236	236	236	236
F	145	145	145	145	145	145	145
G	402	402	402	402	402	402	402

CORVAR GAS FIRE



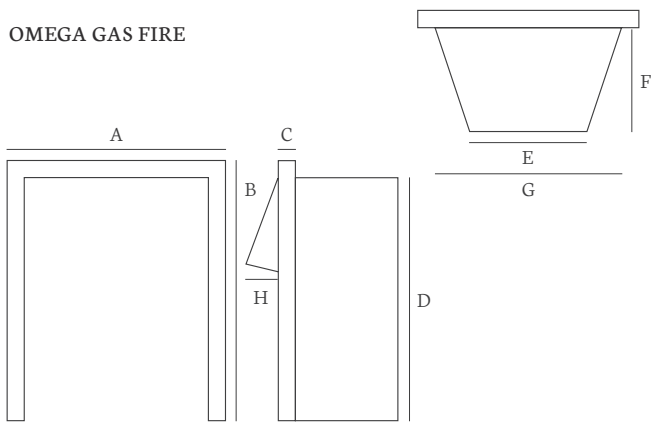
	ABRI	CAPELLA	FLARE	MIZAR	PROVIDENT	HALO	TRIM & FRET
A	520	520	520	520	590	602	510
B	655	615	635	615	740	662	610
C	80	75	75	75	85	104	25
D	553	553	553	553	553	553	553
E	272	272	272	272	272	272	272
F	89	89	89	89	89	89	89
G	327	327	327	327	327	327	327

ASCELLA GAS FIRE



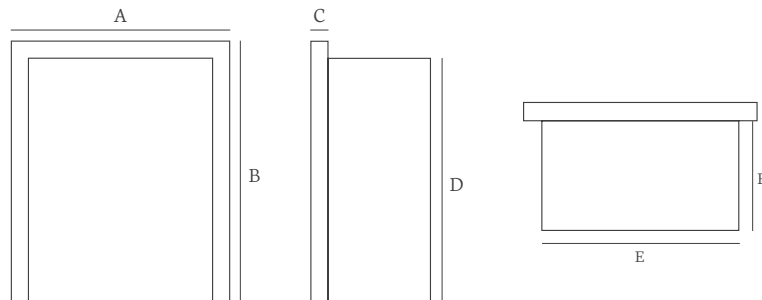
	ABRI	CAPELLA	FLARE	MIZAR	PROVIDENT	HALO	TRIM & FRET
A	520	520	520	520	590	602	510
B	655	615	635	615	740	662	610
C	80	75	75	75	85	104	85
D	545	545	545	545	545	545	545
E	270	270	270	270	270	270	270
F	185	185	185	185	185	185	185
G	390	390	390	390	390	390	390
H	50	45	40	45	70	45	50

OMEGA GAS FIRE



	ABRI	CAPELLA	FLARE	MIZAR	PROVIDENT	HALO	TRIM & FRET
A	520	520	520	520	590	602	510
B	655	615	635	615	740	662	610
C	80	75	75	75	85	104	85
D	545	545	545	545	545	545	545
E	300	300	300	300	300	300	300
F	235	235	235	235	235	235	235
G	385	385	385	385	385	385	385
H	50	45	40	45	70	45	50

REGULUS GAS FIRE



TRIM & FRET	
A	510
B	610
C	10
D	555
E	405
F	245

FIND YOUR LOCAL RETAILER

All of our products shown in this brochure are available to purchase from your local Capital retailer, they are able to give you advice on all aspects of your fireplace requirements. Simply visit our website to locate your nearest retailer at www.capitalfireplaces.co.uk





Visit www.capitalfireplaces.co.uk
to watch a range of our gas and
electric fires in action.

CAPITAL FIRES DISCLAIMER

Recent changes in legislation have been made in an attempt to reduce emissions in the UK. Whilst the actual heat output has not changed from previous years, selected inset gas fires shown in this brochure are no longer suitable for primary heating purposes and should be used in conjunction with the primary heating system as decorative only with occasional use.

Design Line and inset gas fires including the Pulsar, Stratos, Corvar, Regulus, Omega and Ascella have a 3 year Warranty, the first year covering parts and labour, the remaining 2 years covering parts only. Our electric range has a 1 year Warranty with an extended 12 months if your fire was initially registered online.

A gas fire is a technical piece of equipment and just like a gas boiler, needs regular servicing. Please ensure that you have your gas fire serviced regularly by a Gas Safe engineer. Further information about our Warranties can be found on our website.

Due to the nature of the materials and appliances used within this brochure, actual finishes and colours may vary slightly. Flames shown within the fires may also vary depending on gas type, fuel quality and the performance of the flue or chimney. For information on aftercare and maintenance, please visit our website at www.capitalfireplaces.co.uk

Capital Fireplaces Ltd reserve the right to change specification or de-list products at any time. Please note images shown in this brochure are for illustration purposes only.



CAPITAL
— FIRES —

www.capitalfireplaces.co.uk