

VISION
trimline

2018 - 2019 EDITION

INSPIRED DESIGN. CREATED FOR LIVING.





WELCOME.

The ability to control fire was a dramatic change in the development of humanity. Among many things it provided warmth, light and security. We believe this base connection still exists and is the reason why we still desire to use the fireplace as the central focal point of our living space.

The Vision Trimline range has been designed with the specific purpose of recreating that instinctive connectivity with nature.

Our innovative fires are skilfully engineered to allow a true trimless aspect with no distracting frames or visible workings, just fire. These highly efficient beautifully designed appliances are available in a variety of different sizes and can be positioned in virtually any part of your home.

myfire° | **MERTIK MAXITROL** | **thermoCet**



LET THE FLAMES BEGIN.

TRIMLESS	10 - 20	CAPITAL COLLECTION FEATURING THE TL73H & THE TL60CF	44 - 47
TUNNEL	22 - 25	FEATURES	48 - 49
ROOM DIVIDER & CORNER	26 - 30	OPTIONAL EXTRAS	50 - 51
PANORAMIC	32 - 38	TECHNICAL INFO/SPEC	52
SLIMLINE FIRE	40 -41	FLUE SYSTEMS	53
TRIMMED	42 - 59	PRODUCT DIMENSIONS	54 - 55



CONTENTS.

TRIMLESS

TL38	11
TL46	12
TL63H	13
TL73	14
TL73H	15
TL83	16
TL100	17
TL120	18
TL140	19
TL170	20

TUNNEL

TL73HT	23
TL100T	24
TL120T	25

DIVIDER & CORNER

TL38C	27
TL63C	28
TL83C	29
TL73RD	30

PANORAMIC

TL38P	33
TL63P	34
TL83P	35
TL100P	36
TL120P	37
TL140P	38

SLIMLINE

TL70SL	41
--------	----

TRIMMED

TL100 Silhouette	43
------------------	----

CAPITAL COLLECTION

TL73H	45
TL60CF	47

FEATURES

48

OPTIONAL EXTRAS

50

TECHNICAL SPEC

52

FLUE SYSTEMS

53

PRODUCT DIMENSIONS

54



RANGE OVERVIEW.

TL38C CORNER



TL46 TRIMLESS



TL63H TRIMLESS



TL63P PANORAMIC



TL73H TRIMLESS



TL73RD ROOM DIVIDER



TL38 TRIMLESS



TL38P PANORAMIC



TL60CF



TL63C CORNER



TL73 TRIMLESS



TL73HT TUNNEL

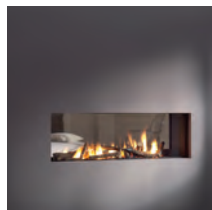
TL83 TRIMLESS



TL83 PANORAMIC



TL100T TUNNEL



TL120 TRIMLESS



TL120P PANORAMIC



TL140P PANORAMIC



TL70SL SLIMLINE



TL83 CORNER



TL100 TRIMLESS



TL100P PANORAMIC



TL120T TUNNEL



TL140 TRIMLESS



TL170 TRIMLESS

TRIMLESS.

Our Trimless fires are designed to be positioned beautifully into integrated walls or retrofitted into existing chimneys. These highly efficient innovative gas fires are skilfully engineered allowing a truly trimless aspect. This means no distracting frames or visible mechanical workings, just fire.

With a choice of either landscape or portrait versions there is an option to suit all interiors. Meticulous attention has been paid to the fuel bed and flame patterns to ensure a perfect recreation of a natural, living fire, with large glass panes to allow unrestricted views.





TL38 TRIMLESS. TL38 TRIMLESS GAS FIRE - LAMEL CHAMBER - ULTRA REAL CERAMIC LOGS

B ENERGY RATING



ENERGY RATING **B**

12

TL46 TRIMLESS. TL46 TRIMLESS GAS FIRE - BLACK STEEL CHAMBER - ULTRA REAL CERAMIC LOGS



TL63H TRIMLESS. TL63H TRIMLESS GAS FIRE - BLACK STEEL CHAMBER - ULTRA REAL CERAMIC LOGS

AVAILABLE WITH
ARG

A ENERGY
RATING



AVAILABLE WITH
ARG

ENERGY
RATING **B**

14

TL73 TRIMLESS. TL73H TRIMLESS GAS FIRE - LAMEL CHAMBER - ULTRA REAL CERAMIC LOGS



TL73H TRIMLESS. TL73H TRIMLESS GAS FIRE - BLACK STEEL CHAMBER - ULTRA REAL CERAMIC LOGS

AVAILABLE WITH
ARG

A ENERGY RATING



AVAILABLE WITH
ARG

ENERGY
RATING **B**



AVAILABLE WITH
ARG

B ENERGY
RATING

TL100 TRIMLESS. TL100 TRIMLESS GAS FIRE - LAMEL CHAMBER - ULTRA REAL CERAMIC LOGS



AVAILABLE WITH
ARG

ENERGY
RATING **B**

18

TL120 TRIMLESS. TL120 TRIMLESS GAS FIRE - BLACK GLASS CHAMBER - BASALT FUEL BED



TL140 TRIMLESS. TL140 TRIMLESS GAS FIRE - LAMEL CHAMBER - ULTRA REAL CERAMIC LOGS

AVAILABLE WITH
ARG

B ENERGY
RATING



AVAILABLE WITH
ARG

ENERGY
RATING **B**

20


TL170 TRIMLESS. TL170 TRIMLESS GAS FIRE - BLACK GLASS CHAMBER - CARRARA STONES





TUNNEL.

Tunnel gas fires are two sided appliances allowing you to enjoy the beautiful flames and warmth from two rooms at once! Perfect for modern open plan homes or they can be used to make a beautiful room divider. Choose from three different size options in both natural gas and LPG.





TL73HT TUNNEL, TL73HT TUNNEL GAS FIRE - ULTRA REAL CERAMIC LOGS

AVAILABLE WITH
ARG

A ENERGY
RATING



AVAILABLE WITH
ARG

ENERGY
RATING **B**

24

TL100T TUNNEL. TL100T TUNNEL GAS FIRE - ULTRA REAL CERAMIC LOGS



AVAILABLE WITH
ARG


B ENERGY
RATING

TL120T TUNNEL. TL120T TUNNEL GAS FIRE - ULTRA REAL CERAMIC LOGS



ROOM DIVIDER & CORNER.

If you are looking to make a real statement, a corner fire or room divider fire may be the perfect choice. The highly efficient corner fires allow you to view the beautiful flames from different angles and are available in either left-sided or right-sided options, whilst the stylish TL73 Room Divider is a unique three sided fire, ideal for partitioning space and allowing the flames to be enjoyed from different aspects, or even different rooms.





TL38C CORNER. TL38C CORNER GAS FIRE - LAMEL CHAMBER - ULTRA REAL CERAMIC LOGS

B ENERGY RATING



ENERGY RATING **B**

28

TL63C CORNER. TL63C TRIMLESS GAS FIRE - LAMEL CHAMBER LINING - ULTRA REAL CERAMIC LOGS



TL83C CORNER. TL83C TRIMLESS GAS FIRE - BLACK GROOVE CHAMBER PANELS - ULTRA REAL BURNING LOGS - OPTIONAL LED GLOWING FUEL BED

AVAILABLE WITH
ARG

B ENERGY RATING



AVAILABLE WITH
ARG

ENERGY
RATING **A**

30


TL73RD ROOM DIVIDER. TL73RD TRIMLESS GAS FIRE - ULTRA REAL CERAMIC LOGS





PANORAMIC.

These stunning fires make an amazing centrepiece in any home. The three side fires allow a totally unrestricted view of the fire from all sides of the room at the touch of a button. Choose from six different size options, available in both natural gas and LPG.





TL38P PANORAMIC. TL38P TRIMLESS GAS FIRE - LAMEL CHAMBER - ULTRA REAL CERAMIC LOGS

AVAILABLE WITH
ARG

B ENERGY RATING



AVAILABLE WITH
ARG

ENERGY
RATING **B**



TL83P PANORAMIC.

TL83P TRIMLESS GAS FIRE - BLACK GLASS CHAMBER - ULTRA REAL BURNING LOGS - OPTIONAL LED GLOWING FUEL BED

AVAILABLE WITH
ARG

B ENERGY RATING



AVAILABLE WITH
ARG

ENERGY
RATING **B**



AVAILABLE WITH
ARG

B ENERGY
RATING

TL120P PANORAMIC. TL120P TRIMLESS GAS FIRE - LAMEL CHAMBER - ULTRA REAL CERAMIC LOGS



AVAILABLE WITH
ARG

ENERGY
RATING **B**




UNIQUE
BURNING
LOGS
TECHNOLOGY.

Available as standard on all TL83
fires, including trimless, corner and
panoramic models.



FILLING THE VOID.

With an innovative, versatile design the compact TL70sl is easy to install and simple to service. The TL70sl can be wall mounted and installed directly to any outside facing wall, perfect for homes without a chimney, or alternatively it can be retrofitted into older properties. One of the biggest advantages is that there is minimal building work required due to its innovative, slim design that allows fitting into the cavity of a standard outside wall.





TL70SL

TL70SL SLIMLINE GAS FIRE - BLACK GROOVE CHAMBER - ULTRA REAL CERAMIC LOGS - BLACK STEEL TRIM

AVAILABLE WITH
ARG


B ENERGY
RATING



PERFECTLY FRAMED.

Vision Trimline fires offer a sense of true minimalist beauty. However, if your home style dictates, there can sometimes be a requirement for a little more flare – even extravagance!

To address this, we have created a range of frames and fireplaces that have a certain synergy with our fires. Sharing the same design ethos and manufactured to the same high standards, we have crafted a range that includes a variety of materials with a wonderful, natural beauty.





TL100 SILHOUETTE.

TL100 TRIMLESS GAS FIRE - LAMEL CHAMBER - ULTRA REAL CERAMIC LOGS - SILHOUETTE STEEL MICRO TRIM

AVAILABLE WITH
ARG

B ENERGY
RATING



UNIQUE STYLING.

Combine our Vision Trimline appliances with a wide range of fireplace mantels giving you more choice and quality that you will not find anywhere else.

A fireplace has the ability to transform any room, conveying a personal statement and becoming a natural focal point. It becomes a symbol of security, contentment and warmth. The Capital Collection presents a clearly distinctive range of fireplaces, stoves and accessories that combines a heavy investment in design with quality materials and expert craftsmanship.

To view our full range of mantels visit www.capitalfireplaces.co.uk





AVAILABLE WITH
ARG

A ENERGY RATING

TL73H

TL73H TRIMLESS GAS FIRE - ULTRA REAL CERAMIC LOGS - BEAUMONT 59" AGEAN LIMESTONE MANTEL - POLISHED GRANITE SLIPS AND HEARTH

45



CONVENTIONAL THINKING.

If your home does feature a conventional brick chimney and you wish to utilise this, then we have that covered with our TL60cf appliance. Like our balanced flued appliances, the TL60cf can be fitted trimless or with a variety of mantels to create a truly unique focal point to your living space.

To view our full range of mantels visit www.capitalfireplaces.co.uk





TL60CF

TL60CF TRIMLESS GAS FIRE - ULTRA REAL CERAMIC LOGS - MULHOLLAND 54" CORINTHIAN STONE MANTEL - HONED GRANITE SLIPS AND HEARTH

AVAILABLE WITH
ARG

D ENERGY RATING

EVERYTHING YOU NEED IN ONE PACKAGE

- **Ecomax remote control** - this sleek designed handset features a thermostatic control countdown timer to automatically turn off the fire, and an Ecomax button, allowing adjustment of the flames to regulate room temperature resulting in a 40% energy saving.
- **Adjustable legs** - allowing you to easily install the fire at your desired height without the need for further, unnecessary building work.
- **Control access door** - a neat, gloss finish, access system to allow access to the manual fire controls.
- **Convection vents** - two of these are supplied with each fire to allow convected hot air from the chimney into your room.

DOUBLE BURNER (DB) FEATURE

With the exception of the TL38, TL46, TL60CF AND TL63C/P models, all other Vision Trimline fires are equipped with an innovative double burner system. This clever feature staggers the flame pattern in two rows and gives an extra sense of depth and realism whilst offering a more economical way to use your fire. At the touch of a button the front burner row remains active whilst the rear burner row diminishes, giving unparalleled visual effect with a reduction of 40% of the heat output. Used in combination with the Ecomax remote control can result in the benefit of reduced running costs of up to 60%.

GO Wi-Fi FOR MAXIMUM CONTROL

Introducing the latest optional upgrade option for Vision Trimline fires, the Myfire app uses wireless technology that connects the fire to your home Wi-Fi network. You can now take control using your smartphone or tablet with features such as:

- Temperature adjustment and thermostatic control
- Flame pattern adjustment and animated wave profiles
- Individual user profiles
- Countdown timer
- Weekly programming



ANTI-REFLECTIVE GLASS

Anti-reflective glass (ARG) which is available on many Vision Trimline models is a premium feature that allows you to maximise your experience of the beautiful flames giving the appearance of an open fire whilst having the convenience of a gas appliance. This clever feature gives the illusion that there is no glass between the fire and you, creating an even more authentic experience.

BURNING LOGS TECHNOLOGY

All TL83 models incorporate the latest burning logs technology to recreate the most authentic, realistic looking flame ever. Combined with high definition, ultra realistic ceramic logs, this innovate feature creates a fire so realistic it cannot be distinguished from a natural, living fire. For the ultimate in warm ambiance, the optional LED glowing fuel bed creates a subtle, relaxing impression of gently burning embers.

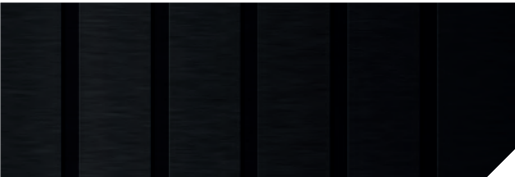
INTERIOR STYLING & FUELBED OPTIONS

For that extra WOW factor, why not choose to upgrade to a black mirrored glass lining for your fire chamber and add a reflection to the fuel bed and flames to give a remarkable effect of added depth and detail. If burning logs is not the look you are going for, then perhaps you would be more interested in an alternative fuel bed for your fire. The collection features a range of stunning options to choose from.

Lamel Chamber Panel



Black Groove Chamber Panel



Black Glass Chamber



Vermiculite Chamber Panel



Interior Grey Brick Chamber Panel



Fire Brick Chamber Panel



High Definition Logsets



Carrara Stones



White Pebbles



Basalt



OPTIONAL EXTRAS. SOMETHING A LITTLE DIFFERENT?

	TL38/C	TL38P	TL46	TL60CF	TL63H	TL63 C/P	TL73	TL73H	TL73RD/HT	TL70SL	TL83
HI DEFINITION LOGS	✓	✓	✓	✓	✓	✓	✓	✓	✓	✓	✓
PEBBLES	⊙	⊙	x	x	⊙	⊙	⊙	⊙	⊙	x	x
CARRARA STONES	x	x	x	x	⊙	x	x	x	x	x	x
BASALT	x	x	x	x	⊙	x	x	x	x	x	x
FLAT STEEL CHAMBER	✓	✓	✓	✓	✓	✓	✓	✓	✓	x	✓
LAMEL CHAMBER PANELS	✓	✓	x	✓	✓	✓	✓	⊙	x	x	x
VERMICULITE CHAMBER PANELS	x	x	x	x	x	x	x	⊙	x	⊙	x
FIRE BRICK CHAMBER PANELS	x	x	x	x	x	x	x	⊙	x	x	x
BLACK GLASS CHAMBER PANELS	x	x	x	⊙	⊙	x	x	⊙	x	⊙	⊙
BLACK GROOVE CHAMBER PANELS	x	x	x	x	x	x	x	x	x	✓	⊙
INTERIOR GREY BRICK CHAMBER PANELS	x	x	x	x	x	x	x	x	x	x	⊙
WiFi KIT	⊙	⊙	⊙	⊙	⊙	⊙	⊙	⊙	⊙	⊙	⊙
ANTI REFLECTIVE GLASS (ARG)	x	⊙	x	⊙	⊙	⊙	⊙	⊙	⊙	⊙	⊙
LED GLOWING FUELBED	x	x	x	x	x	x	x	x	x	x	
BURNING LOGS FUELBED	x	x	x	x	x	x	x	x	x	x	✓

✓ = Comes as standard x = Not available ⊙ = Optional Extra

	TL83C	TL83P	TL100	TL100C	TL100P	TL100T	TL120	TL120C	TL120P	TL120T	TL140	TL140C	TL140P	TL170
	✓	✓	✓	✓	✓	✓	✓	✓	✓	✓	✓	✓	✓	✓
	x	x	●	●	●	●	●	●	●	●	●	●	●	●
	x	x	●	●	●	●	●	●	●	●	●	●	●	●
	x	x	●	●	●	●	●	●	●	●	●	●	●	●
	✓	✓	✓	✓	✓	✓	✓	✓	✓	✓	✓	✓	✓	✓
	x	x	✓	✓	✓	✓	✓	✓	✓	✓	✓	✓	✓	✓
	x	x	x	x	x	x	x	x	x	x	x	x	x	x
	x	x	x	x	x	x	x	x	x	x	x	x	x	x
	●	●	●	●	●	x	●	●	●	x	●	●	●	●
	●	●	x	x	x	x	x	x	x	x	x	x	x	x
	●	●	x	x	x	x	x	x	x	x	x	x	x	x
	●	●	●	●	●	●	●	●	●	●	●	●	●	●
	●	●	●	●	●	●	●	●	●	●	●	●	●	●
	●	●	x	x	x	x	x	x	x	x	x	x	x	x
	✓	✓	x	x	x	x	x	x	x	x	x	x	x	x

TECHNICAL SPECIFICATION.

	TL38/C/P		TL46		TL60CF		TL63H		TL63C/P		TL73		TL73H/RD		TL73HT		TL70SL		TL83	
GAS TYPE	NG	LPG	NG	LPG	NG	LPG	NG	LPG	NG	LPG	NG	LPG	NG	LPG	NG	LPG	NG	LPG	NG	LPG
HEAT INPUT (kW)	6.4	6.2	6.6	6.7	6.8	6.4	9.2	8.4	8.4	8.1	11.3	8.8	11.3	8.8	11.3	8.8	4.5	4.3	11.5	11.9
HEAT OUTPUT MAX (kW)	5.3	5.2	5.7	5.7	5.1	4.8	8.1	7.3	7.1	6.8	10.1	7.6	10.1	7.6	10.1	7.6	3.8	3.6	9.5	9.6
HEAT OUTPUT MIN (kW)	2.8	2.5	2.5	2.6	2.5	2.9	3.1	2.9	3.3	3.2	3.6	3.1	3.7	2.5	3.7	2.5	2.7	2.0	2.6	2.6
EFFICIENCY (%)*	82	84	86	85	75	76	86	86	85	84	89	86	89	86	89	86	83	82	83	82
FLUE SIZE (MM)	100/150		100/150		100		100/150		100/150		130/200		130/200		130/200		130/200		130/200	
ERP RATING	B	B	B	B	D	D	B	B	B	B	A	B	A	A	A	A	B	B	B	B

	TL83 C/P		TL100		TL100C/P		TL100T		TL120		TL120C/P		TL120T		TL140		TL140C/P		TL170	
GAS TYPE	NG	LPG	NG	LPG	NG	LPG	NG	LPG	NG	LPG	NG	LPG	NG	LPG	NG	LPG	NG	LPG	NG	LPG
HEAT INPUT (kW)	11.5	11.9	11.1	9.3	11.1	9.3	11.1	9.3	11.3	9.8	11.3	9.8	11.3	9.8	14.5	13.2	14.5	11.0	15.3	15.1
HEAT OUTPUT MAX (kW)	9.5	9.6	9.4	7.9	9.7	8.3	9.4	7.9	9.5	8.3	9.5	8.1	9.5	8.3	12.4	11.2	12.0	9.5	12.2	12.1
HEAT OUTPUT MIN (kW)	2.6	2.6	3.7	2.9	3.8	3.1	3.7	2.9	3.8	3.2	4.4	3.7	3.8	3.2	4.8	4.1	5.0	3.4	4.8	4.5
EFFICIENCY (%)*	83	82	84	84	87	88	84	84	84	85	84	82	84	85	85	85	83	86	82	82
FLUE SIZE (MM)	130/200		130/200		130/200		130/200		130/200		130/200		130/200		130/200		130/200		130/200	
ERP RATING	B	B	B	B	B	B	B	B	B	B	B	B	B	B	B	B	B	B	B	B

*EEl best performance.

FLUE SYSTEMS.

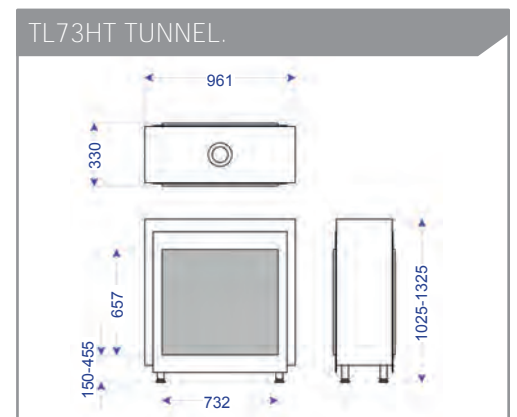
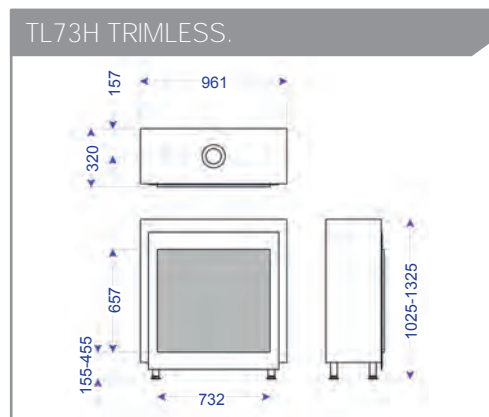
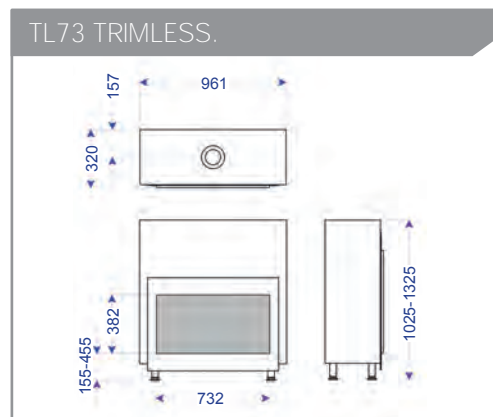
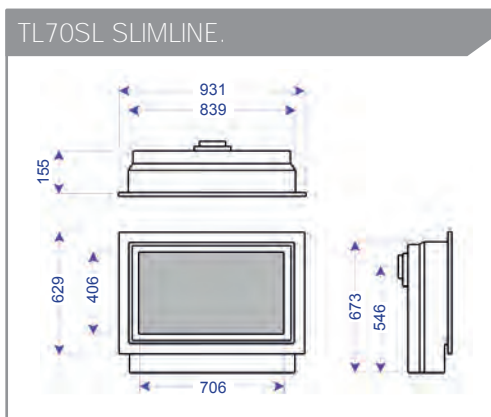
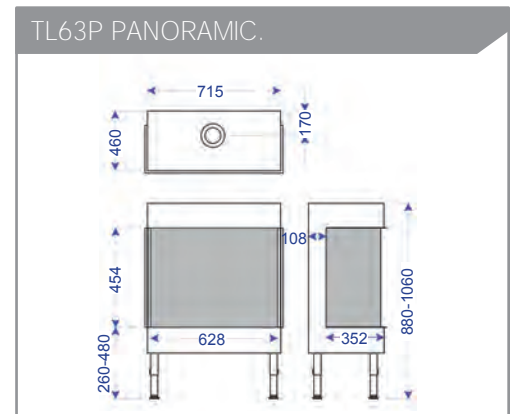
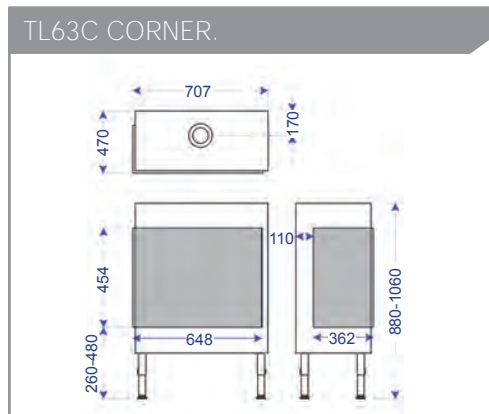
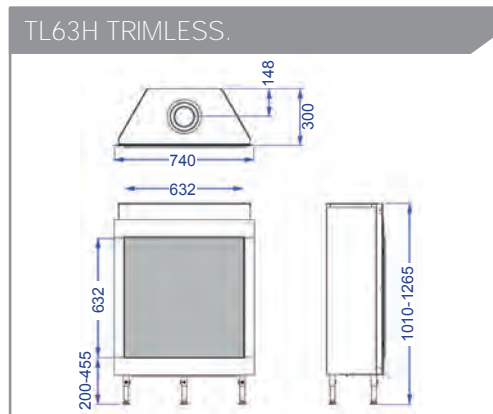
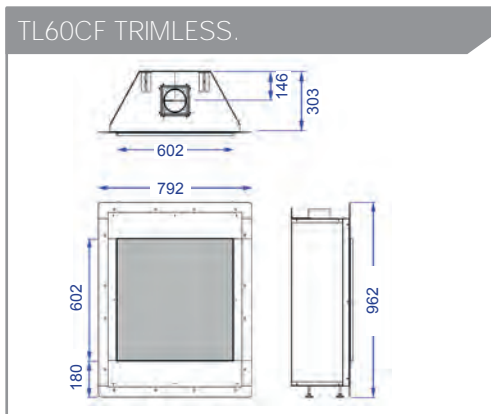
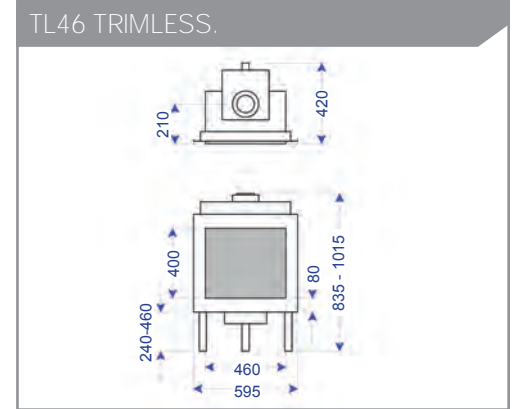
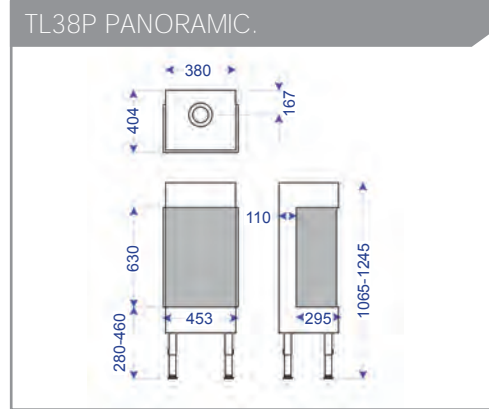
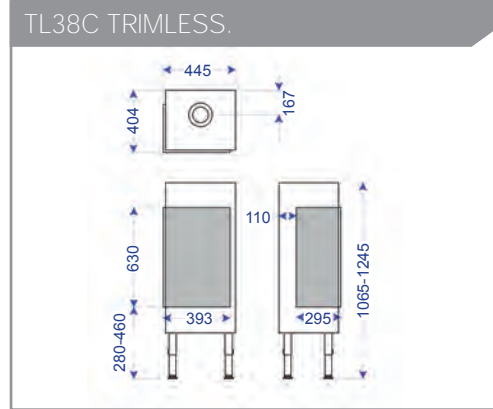
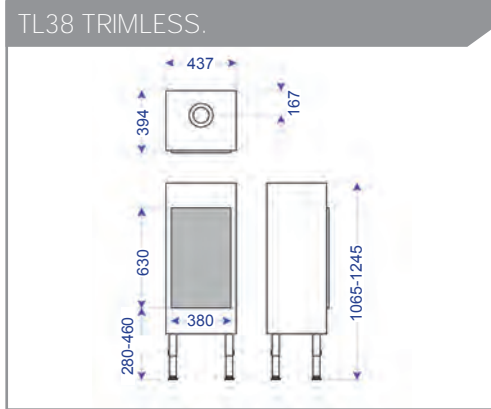
All Vision Trimline fires (excluding the TL60cf) use a specialised double wall concentric flue system. The THC-CC system is an obligatory and integral part of the complete combustion system and must be used when installing the fire. THC-CC is made of high quality 0.5mm thick stainless steel AISI 316 inner and AISI 304 outer-liner.

A wide range of flue/chimney components allows for easy installation when terminating through the wall or the roof in an existing chimney or a dedicated fabrication. Please consult your nearest dealer for more details. The THC-CC system is approved according to CE in combination with all Vision Trimline balanced flue gas fires.

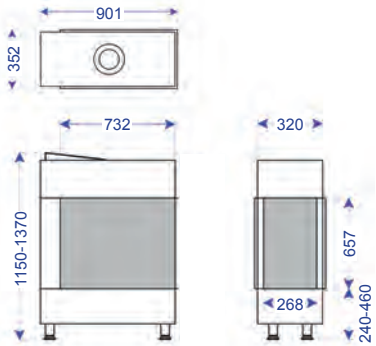


PRODUCT DIMENSIONS.

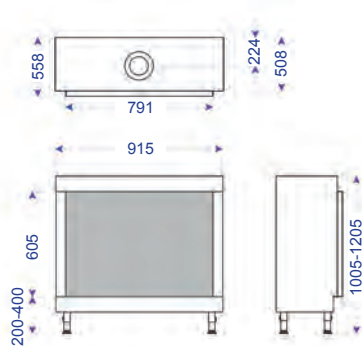
All dimensions are in millimetres.



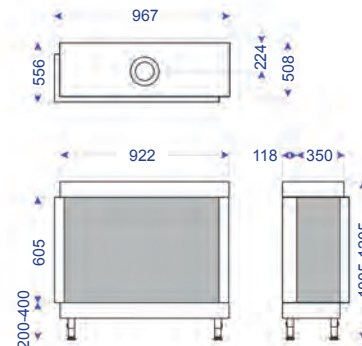
TL73RD ROOM DIVIDER.



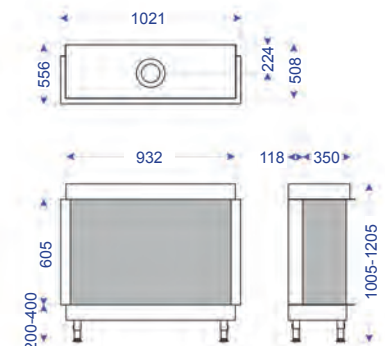
TL83 TRIMLESS.



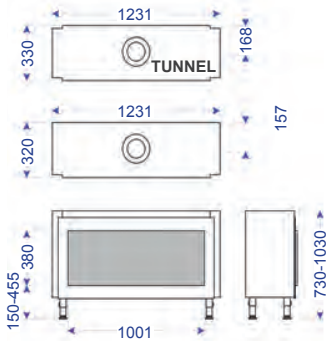
TL83C CORNER.



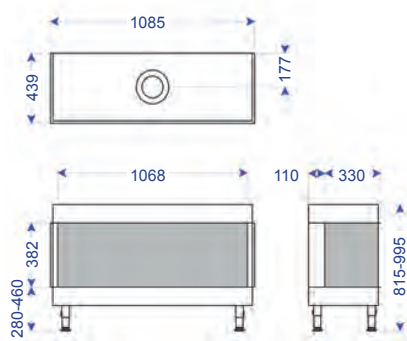
TL83P PANORAMIC.



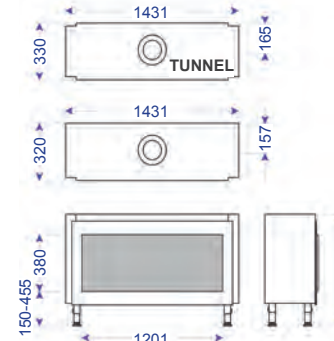
TL100 TRIMLESS / TUNNEL.



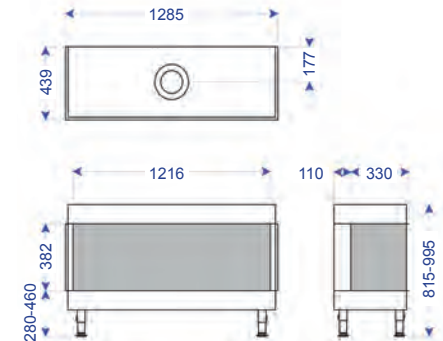
TL100P PANORAMIC.



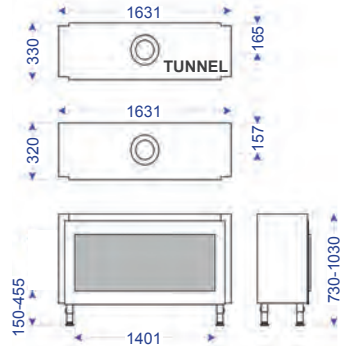
TL120 TRIMLESS / TUNNEL.



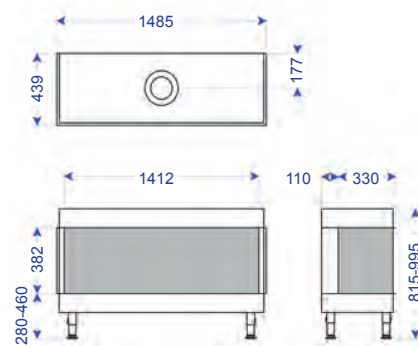
TL120P PANORAMIC.



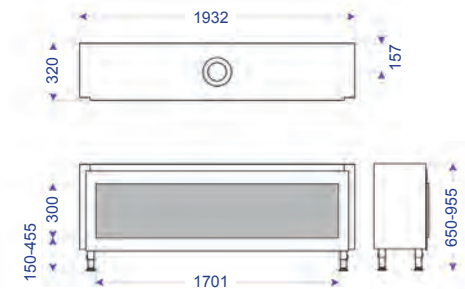
TL140 TRIMLESS / TUNNEL.



TL140P PANORAMIC.



TL170 TRIMLESS.



CAPITAL
FIREPLACES

VISION
trimline